

From the "Stanton Order of Battle" reference book.
Composite Service Section:

200 SERVICE UNITS



**8th Support Battalion
(Infantry Brigade)**

Arrived Vietnam: 22 September 1966

Departed Vietnam: 15 February 1969

Previous Station: Fort Devens

Authorized Strength	1966	1968
Battalion	451	348

The 8th Support Battalion served with the 196th Infantry Brigade (Light) in Vietnam



A more colorful example of the unit crest is shown above. These can be purchased from vendor advertising web-sites.

The 8th Support Battalion was responsible for providing brigade level supply, direct support and general support maintenance, medical service and miscellaneous services for all assigned or attached elements of the 196th Light Infantry Brigade. The battalion was organized with four lettered companies: A. administration; B, maintenance; C. supply and service; and D, medical, as well as a headquarters element. The battalion provided support for the 196th LIB in Vietnam.

(Note: The organization of the companies may not be correct in the Stanton Order of Battle reference book. Initially There was the HHC, A Company (Administration), B Company (Supply and Maintenance and C Company was the medical services company. However, there may have been a reorganization that changed this).

A U.S. manual describing the modern day Brigade Support Battalion concepts was found at this web-site.

https://armypubs.army.mil/epubs/DR_pubs/DR_a/ARN34182-ATP_4-90-001-WEB-2.pdf

Brigade Support Battalion and the Operational Environment

This includes ensuring all commodities are replenished in preparation for upcoming operations, all sustainment units are positioned properly, units are reorganized for effectiveness, casualties are treated and evacuated, replacement personnel are integrated into units, and maintenance is conducted.

BSB ORGANIZATION IN BRIGADE COMBAT TEAMS

1-30. The BSB is organic to and provides sustainment support to a BCT. BSBs in IBCT, SBCT, and ABCT differ in terms of specific equipment and manning, reflecting the characteristics of the BCTs they support. Figure 1-1 depicts a typical BSB organization.

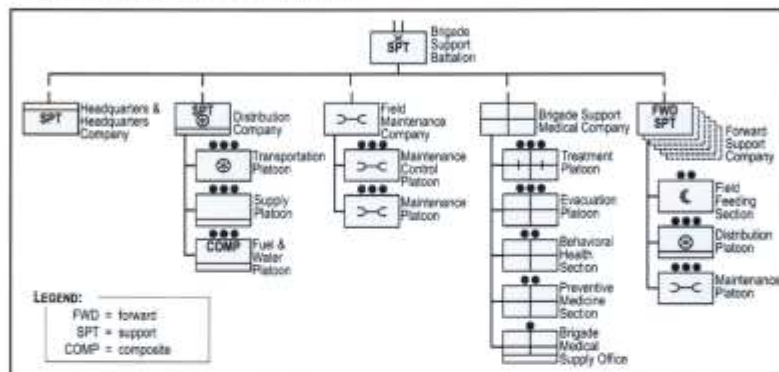


Figure 1-1. Brigade support battalion task organization

1-31. BSBs have the capability to operate a supply support activity (SSA), operate a modular ammunition transfer point (MATP), perform field-level maintenance support and distribution operations, as well as providing medical support. BSBs that contain a medical company provide Role 2 medical care to all units in the brigade. FSCs provide distribution, field feeding, and field-level maintenance support to their supported battalions. Other capabilities that BSBs provide include:

- Field-level maintenance support to the BSB and the brigade headquarters.
- Field feeding support to the BSB headquarters company, distribution company, field maintenance company, and medical company.

1-32. The DSB assigned to a division can provide logistics capability not organic to the BSB or provide additional capacity to support the BSB. The DSB has an organic DSSB comprised of organic companies: a headquarters company, a composite supply company, a composite truck company, and a support maintenance company. The DSSB provides water treatment and storage, non-mobile petroleum storage, and troop transportation support to the BCT.

HEADQUARTERS AND HEADQUARTERS COMPANY

1-33. The BSB headquarters and headquarters company (HHC) consists of the command group, coordinating staff, and headquarters company. The BSB provides C2, administrative, and logistics support for all organic, assigned, and attached units. The staff executes planning and synchronization for all assigned and attached units in the BSB. The BSB can also provide C2 for all units that occupy the BSB base for security. It also provides support for non-BSB elements in the BSA.

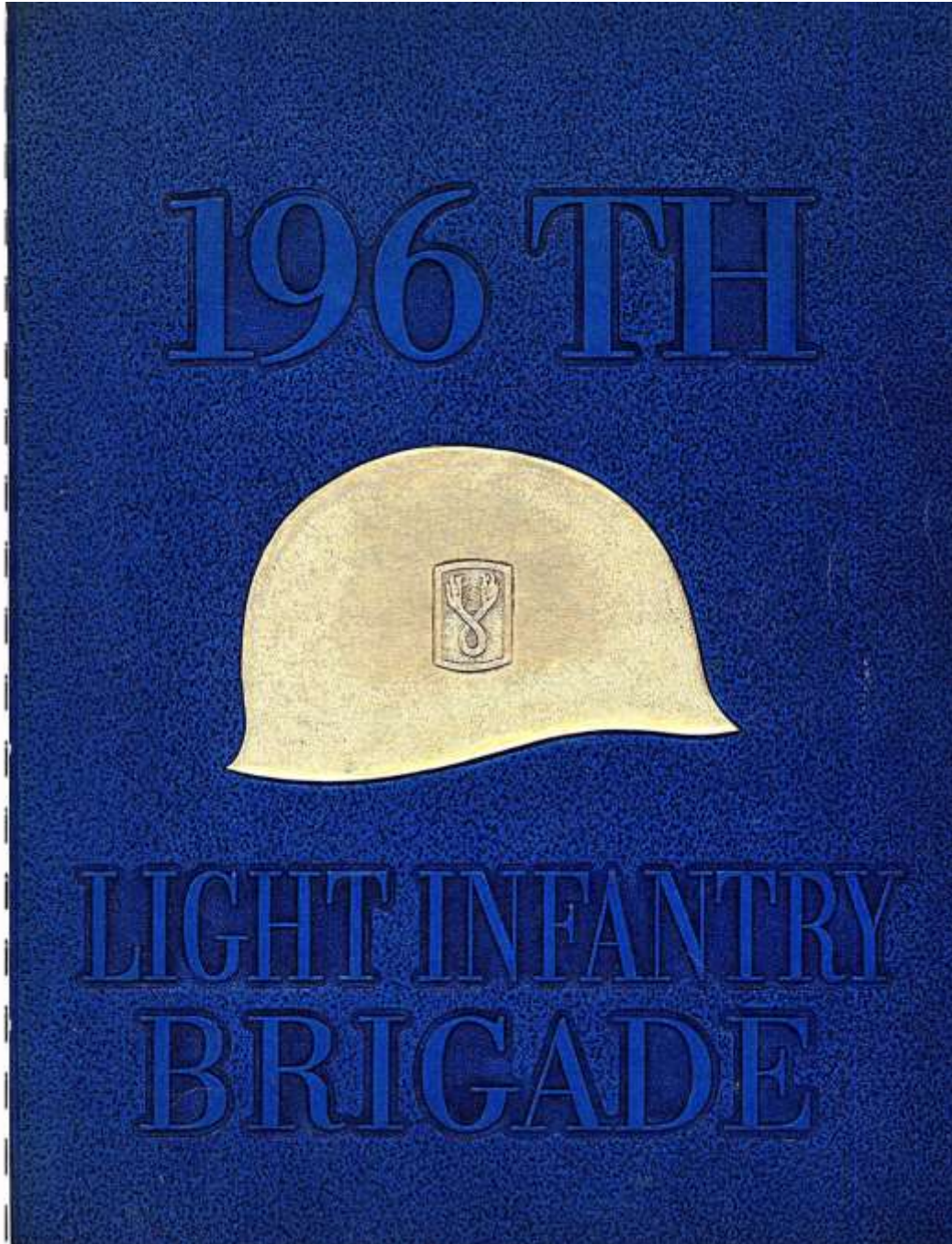
This compilation was made for veterans of the 8th Support Battalion who supported the 196th LIB and the Americal Division Operations.

The compilation was done using a computer search that went through thousands of files to identify articles or sections of reporting that related to the 8th Support Battalion. Not everything was placed in this document, but it will allow someone to understand something of what the men of this unit was experiencing in their service without requiring days and weeks of searching through thousands of documents.

The number of items located was significant, but not in the depth of the compilations we have made for infantry battalions. One alternate source of history is a book written by C Company (medical support) veteran Dr. John F. Stahler entitled "A Doctor's Vietnam Diary". The ADVA Vietnam era historian is expecting to receive 20 copies that can be made available to veterans interested in the 8th Support Battalion's service in Vietnam. Another book "Chargers" by F. Clifton Berry provides a nice overview of the 196th Light Infantry Brigade operations in Vietnam. It can be obtained through vendors advertising on web-sites.

The 8th Support Battalion began operations in Vietnam in August 1966 (The Stanton Order of Battle has this date as 22 September 1966, but records indicate the 8th Support battalion was operating in Vietnam by 9th August 1966 and possibly earlier). Prior to this they were stationed at Ft. Devens, MA. They took a boat ride on the U.S.S. Patch which had a newsletter that the ADVA historian has a few copies available to share with veterans interested in the passage to Vietnam for the 196th LIB. (These might also be found at the Texas Tech. University Vietnam Center and Archive web-site).

There is a yearbook for the 196th LIB with photos of men serving in the three companies of the 8th Support Battalion. The yearbook covers the period of September 1965 through June 1966.



These are selected photos of the men from the 8th Support Battalion found in the yearbook:

8th Support Battalion photos from Ft. Devens, MA 1966



Commanding Officer
Maj. George L. Kelley



Executive Officer
Maj. Rogellio E. Leguillo



Sgt. Maj. Eugene B. Pugh



HHD, 8th Support Battalion

From left to right, Row 1: Gavin, J.D., MSGT; Nawrocki, E., SFC; Pugh, E.B., SMAJ; Deuel, R.D., SFC. Row 2: Schaffler, F.F., 2d Lt; Stewart, R.G., Capt.; Smith, J.A., Maj; Leguillo, R.E., Maj; Kelley, G.L., Maj; Fyle, R.W., Maj; Krumlauf, H.E., Capt; Row 3: Mc Aten, H.E., SFC; Reynolds, E. H., SFC; Bartecchi, E.J., SFC; Gonzalo, T.J., SFC; Cruz, R., SP6; Salinas, M.C., SFC; Becerril, S.M., SFC; Wyatt, R.L., SFC. Row 4: Martinez, E., SP4; Guyer, D.C., Sgt; Hutton, R.G., SP5; Pones, D.C., Sgt; Greco, F.F., SFC; Chamberlin, H.R., SSG; Boscomb, D., SSG. Row 5: Deer, T., SP5; Cournoyer, N., SP4; Skow, R.R., SP4; Moznansky, B.O., SP4; Valentine, N., PFC; McCallum, D.P., PFC; Jones, Z., PFC; Doigle, A., Sgt. Row 6: Mc Call, C.A., SP5; Row 7: Galvin, K.M., PFC; Bell, W.J., SP4; Rittenbough, D.R., PFC; Williams, L.E., PFC; Riley, T.R., PFC; Petty, G.W., SP4; Bedisch, A.F., PFC.



Co. A, (Admin.) 8th Support Battalion

From left to right, Row 1: Cavanaugh, J.V. CWO; Joyce, J.J. 1st Lt; Prondzik, D.A. 1st Lt; Giam, E.B. Capt; Cox, J.C. Maj; Bachand, J.D. Maj; Anderson, O.P. Capt; Jacques, J.W. Capt; Smith, G.S. 1st Lt; Cooley, R.L. 2nd Lt. Row 2: Albert, W.J. SP4; Selby, C. SP4; Funk, C. SP4; Jones, R.R. SGT; Shere, R. SP4; Malhot, H. SP4; Feezor, F.R. SP4; Hunsicker, L.A. PFC; Tucker, J. PFC; Schwab, W. PFC; Crotty, D.E. SP5; Jamison, T.L. SP4; Goodrow, R.T. 1st Sgt; James, J. SP4; Folger, R. SP4; Edinger, F.W. SP5; Dillehay, B.R. SP4; Yarnon, M. SP5; Jackson, E.L. SP4; Hyde, H. SP4; Taylor, R.G. PFC; Kinsey, H.J. SP4; Clark, R.A. PFC; Barber, V. PFC; Lopez, L. SP4. Row 3: Pamelow, C.C. PVT; Hanson, G. SP4; Ray, W. SP5; Mohaney, E.L. SP4; Scheertz, B.J. PFC; Sands, T.W. SP4; Farrar, L. SP4; Hussey, D.C. SP4; Crandemire, R.D. SP4; Yeung, J. SP4; Leonard, B.L. PFC; Cebral, R.J. SP4; Sorenson, D.C. SP5; Bisson, D. SP4; Lulobre, J.J. SFC; Benson, R.D. SP4; O'Neil, D. SP4; Walker, F.S. SP5; Steffins, R.J. SP5; Duff, J.C. SP5; Osborne, G. SP4; Surzevicius, J. SP4; Bubier, R. SP4; Row 4: Benavidez, G. PFC; Stark, J.L. PFC; Alther, W. SFC; Levesque, R.T. SP5; Marshall, T.A. SP4; Fox, D. PFC; Reid, J.M. PFC; Rosenfield, R.D. PFC; Rupp, N.E. SP5; Farrington, D.W. SSG; Nelson, R. SP5; Keith, J.D. SP4; Jung, R.L. SP4; Britto, J. PFC; Byrne, R.L. PFC; Montagner, N. SP5; Kuenzler, C.E. SSG; Magalano, D. SGT; Shannon, J.H. SGT; Shea, G.H. SP5; Timmons, M.M. SGT; Romero, H. SP4; Simmons, J. SSG. Row 5: Goldman, M. SP4; Clark, D. SP5; Stewart, D. PFC; Bishop, L.H. PFC; Lowe, R.F. SP5; Brzoza, M.J. PFC; David, D. SP4; Hurd, G. PFC; Phillips, A. SP5; Phillips, R.J. SFC; Ritsch, J. PFC; Long, R. PFC; Tremey, L.L. PFC; Hampton, C. SP4; Sellers, J. PFC; Holtz, L. SP4; Stocker, K. SGT; Demong, F.P. SP4; Reddington, R. PFC; Burk, H.J. SP4; Thresher, C. SP4.

Co. B, (Supply & Maint.) 8th Support Battalion

From left to right, Row 1: Rice, J.G., SP4; Medwid, R., 1st SGT. Row 2: Messicoort, H.R., 2Lt; Osburn, G.A., 2Lt; Bobb, J.R., 2Lt; Williams, G.W., Capt; Feigenberg, L.A., 2Lt; Ayers, H.N., CWO. Row 3: Ott, R., SFC; Crackett, D.R., SSG; Johnson, B.C., SFC; Jones, A.P., SFC; Labrie, F.R., SGT; Thompson, H.E., SFC; Cary, H.P., SFC. Row 4: Poe, R.M., SFC; Foltz, C.W., SFC; Slabczynski, A.J., SSG; Blair, M.M., SSG; Carter, D.R., SGT; Watts, L.E., SFC. Row 5: McBrown, E.W., PFC; Benson, N. Jr., PFC; Osorio, V.M., PFC; Ruckoshah, J.E., PFC; Hunter, J.E., SP4; Lozada, J., PFC; Lequale, J., PFC. Row 6: Velez, W., PFC; Brones, E.P., PFC; Fessler, SP4; Williams, E., SP5; Healy, W.J., PFC; Rinaldi, P., SP4; Hortless, P.S., SP4; Stapleton, D.J., SP4. Row 7: Lonninen, J.J., PFC; North, D.E., SP5; Dunithon, R.L., SP5; Herb, L.H., L.H., SP5; Gray, R.E., SP4; Ramos, D.F., SP5; Antico, R.A., PFC. Row 8: Ghiozzi, V.J., SP4; Demers, J.L., SP5; Levesque, A., SP4; McIntosh, G.D., SP5; Allain, J.D., PFC; Stafford, V., SP5. Row 9: McKibben, J.P., SP5; Lintler, C.S., PFC; Russell, M., PFC; Manzella, S., PVT; Smoot, M.Jr., SP5; Hemmingway, J.W., SP5. Row 10: Jones, R.G., SP5; Lyle, T.R., SPR; Geaman, D.G., SP4; Bobcock, W., PFC; Harris, G., SP4; Persons, H., PFC; Lee, C.A., PFC. Row 11: Christenson, J.L., SP5; Davidson, A., SP4; Hurst, R.C., SP4; Egelschick, J.F., SP5; Lawrence, G.P., PFC; Sanders, R.L., PVT. Row 12: Watts, F.E., SP5; Dickinson, Z.S., Sawyer, R.W., PFC; Gopinski, M.P., PVT; Hale, K.L., SP4; Jones, M., PFC. Row 14: Mayberry, R.T., PFC; Wiggs, C.T., PVT; Thirlon, D.P., PFC; Smeraglia, A.V., PVT; Merino, C.C., PFC; Schopp, G.L., PFC.



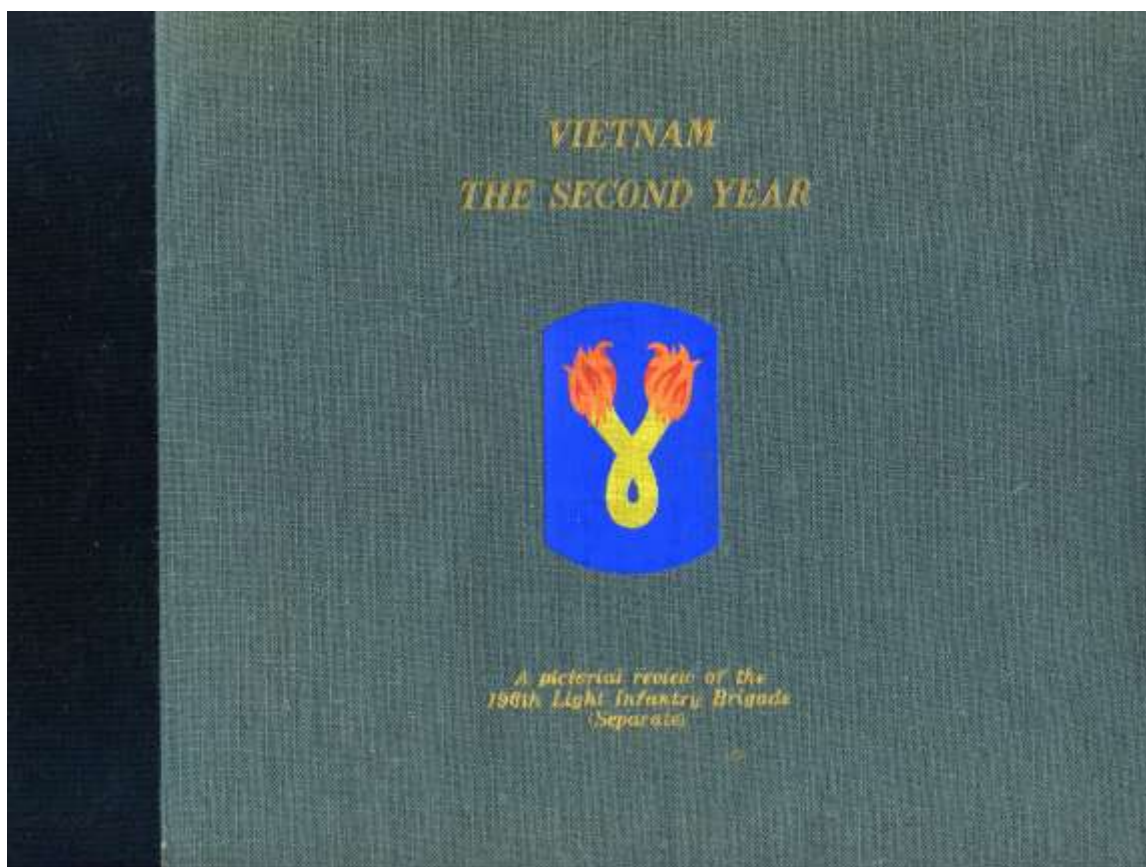


Co. C, (Med.) 8th Support Battalion

From left to right, Row 1: Holland, T.F., SP7; Green, R.C., PSG; Holden, A.J., SSG; MacLaughlin, L.S., 2d Lt; Arensen, J.A., Capt.; Gilkey, J.H., 2d Lt; Picknell, A.F., 1st Sgt; Christman, L.M., 2d Lt; Martin, D.D., MSG; Lowe, J. Jr., SSG; McCall, D.D., SSG; Lohr, R.D., SFC; Row 2: Carter, J., SP4; Morales, F.B., Pvt; Parido, R., Sgt; Beeg, W.E., SP4; Aretz, M., PFC; Sweeney, R.L., SPS; Bopst, R.L. Jr., PFC; Wilson, G.W., PFC; Eggert, J.J., PFC; Towne, C.A., PFC;

Earnest, R.L., PFC; Ritter, W.R., PFC; King, T. Jr., SP4; Davis, D.D., PFC; Lister, E.J., PFC; Bakker, G.L., PFC; Smith, R.P., SP4; Row 3: Hayden, F.A., SP4; Byrea, E.J., PFC; Coughlin, D.J., PFC; Burch, M.E., PFC; Bartnik, L.P., SP4; Thompson, R.H., PFC; Chance, L.M., PFC; Samba, R.J., PFC; Rice, W.C., PFC; Dolph, V.B., PFC; Karty, B.L., Pvt; Robertson, B.F., PFC; Busch, R.W., PFC; Locke, W.C., PFC; Kirlin, B.W., SP4; Neubio, W.J., PFC.

There is also a second 196th Unit yearbook from 1967-68 that is known as the 2nd year yearbook.



I have inserted these pages from the 1967-68 196th yearbook related to the 8th Support Battalion:



It has been said that for every rifleman, there are five support-type soldiers. This is justifiably so. Today's fast-moving, hard-hitting Army requires many men to support it.

As an illustration, these five support men might best be described by some of services the Army requires—administration, supply, transportation, maintenance, and medical.

As a separate Army unit, the 196th Light Brigade has all of these services organic to it, plus one more—engineer. These are found in the brigade's 8th Support Battalion, and the 175th Engineer Company (Combat).

8th Support, as it is more commonly known, is a unique organization similar in a Support Command of a division. Its three companies provide the bulk of the support for

the brigade. Company A is the administration Company, Company B handles supply and maintenance, and Company C provides the medical services.

Although a "rear" type unit, 8th Support has seen its share of enemy fire. During the months of November and January, the battalion received several casualties as a result of mortar attacks on the brigade's base camp at Tuy Ninh. These attacks came at a time when the brigade was establishing itself in its new home.

The attacks were vicious, and men who had been under fire for the first time came face to face with the reality of combat. Many of the men showed calm and courage despite the attack as they helped the wounded, and offered words of direction and encouragement.



SUPPLY AND MAINTENANCE

During the first few months at the Tay Ninh base camp, the brigade's Company B, 8th Support Battalion, performed virtually all supply and maintenance functions.

This was made possible by the company's unique organizational structure. It consisted of a maintenance platoon, a transportation platoon, and a supply platoon.

The maintenance platoon supported the 196th and many non-brigade units until the arrival of the 548th Light Equipment Company in

February. Among the many items repaired by the platoon were wheeled vehicles, artillery pieces, small arms weapons, communications and engineer equipment, and office machines.

Among the supply platoon's functions were the handling of the brigade's food, ammunition and POL (Petroleum, Oil, and Lubricant) needs. It also operated a central clothing issue point in base camp. The transportation platoon hauled nearly everything the brigade required, from passengers to supplies to equipment. During field operations, the company would operate a forward logistical operations center.



Test-trying a repaired part

MEDICAL SERVICES

Until the brigade's re-deployment to Chu Lai primary medical services were provided by Company C (Medical), 8th Support Battalion, the 47th Helicopter Ambulance Detachment, and the 45th Surgical Hospital (MUST).

Working as a team, these facilities provided brigadesmen, and soldiers of non-brigade units in the Tay Ninh area, fast and complete medical attention.

When a soldier became wounded or injured in the field, a call would be placed from his unit to the brigade's tactical operations center. "Dust-off" radio, operated by the 8th Support Battalion, would then be notified, and a helicopter from the 47th Ambulance Detachment would lift off from the 45th Surgical Hospital helicopter pad at the brigade base camp, and speed to its mission of mercy. All of this occurring in a matter of minutes.

If the casualty were a serious one, he would be taken directly to the 45th Surgical Hospital. If he were less seriously injured, he would be taken to Company C, 8th Support, located adjacent to the 45th.

The speed with which a serious casualty is evacuated to a medical facility has been a major factor in reducing the number of combat fatalities. The helicopter has proven its worth in this area, as it has in other areas of combat support. Often, resupply and troop-carrying helicopters have assisted helicopter ambulances in ferrying the wounded soldiers. The key is rapid evacuation.

The 45th Surgical Hospital (MUST) is the Army's newest and most unique medical facility, and is



considered a breakthrough in the field of medical service. All of its equipment is compact enough to be transported in trucks or helicopters. The equipment is stored in expandables, which when expanded, serve as wards, operating rooms, administrative offices, and laboratories. It is a complete hospital, stocked with the latest medical equipment. It takes mere hours to set up, as compared to other more conventional hospitals which may require months to be made operational. The system also features complete environmental control, with air-conditioning or heating on demand, controlled by a central source.



Company C, 8th Support, is also capable of independent medical support. Its organization is such that it can perform surgical and dental procedures, conduct laboratory tests, and has a capacity of handling up to 120 bed patients. It also treats Vietnamese civilians during MEDCAP (Medical Civic Action Program) operations at various villages. Its mission in Tay Ninh was to treat less seriously injured soldiers, and to handle the overflow of patients at the 45th Surgical Hospital.



8TH SUPPORT BATTALION

LTC Alvin F. Ashley
Commanding Officer

MAJ Frank R. Forsyth Jr.
Executive Officer



HEADQUARTERS AND HEADQUARTERS DET

CPT Daniel M. Brophy
Commanding Officer

CPT David Graham Jr.
1LT Edwin A. Foster
1LT Alexander A. Gillies
1LT Frankie L. Mallin
2LT David J. Cramer
2LT Charles L. Gilliam
2LT William F. Hersey
WO Jack E. O'Brien
SGM Eugene B. Pugh
SFC John E. Harrison
SFC Hugh E. McAtee
SFC Jack Mathoul
SFC Omer M. McKown
SSG Charles W. Hancock
SSG Carmen N. Calabrese
SSG James C. Jorner
SSG Charlie A. McCall
SSG Arthur Moses
SSG James H. Robinson
SSG Robert W. Searley
SGT William A. Aulbaugh
SGT David C. Asbury
SGT David A. Beatz
SGT L. W. Chapman
SGT Carl G. Martin
SGT Dale L. Rutenbough
SP4 Lawrence Carlson
SP4 Roger S. Fowley
SP4 Donald M. Haggerty
SP4 Jerry M. Hensley
SP4 Stephen J. Harter
SP4 James A. Johnson
SP4 Robert McGinnes
SP4 Michael Miller
SP4 William J. Miller
SP4 Louis Montross
SP4 Dwight Schoover
SP4 Jon E. Sanders

SP4 Billy A. Sheehard
SP4 Foster L. Skinner
SP4 Jerry Smith
SP4 Benjamin Tisdell
PFC Lewis Ash
PFC Henry Brown
PFC Thomas Brannon
PFC Gregory Butler
PFC Harold Carr
PFC Terry L. Coyne
PFC Leonard Dier
PFC Marvin Duran
PFC Alphonse Gibbs
PFC Robert Jacobs
PFC Oscar Kyle

PFC Patrick J. McClintick
PFC Louis Nedy
PFC George Norris
PFC Raymond Pike
PFC Alfred Pined
PFC David Reed
PFC Stanley Reznick
PFC Roy T. Rich
PFC Danny Taylor
PFC Randy L. Scott
PFC Fredric Syron
PFC Robert Santner
PFC Frederick Visconti Jr.
PFC Johnny M. Hawkins
PFC Charles M. Burke

PFC David W. Porterfield

COMPANY A

CPT John E. Neer
Commanding Officer

MAJ Harold L. Coop
CPT Paul M. Brown
CPT Otis P. Anderson
CPT Joseph W. Jacquez
CPT David A. Prosznik
CPT Walter W. Spear
CPT Bille R. Wagner

1LT Stephen H. Bailey
1LT James M. Brown
1LT Ronald D. Hubbard
1LT James A. Patrick
1LT Ron L. Raine Jr.
CWO Merle D. Blynn
WO Donald P. McNamara
SGM Hikos L. Douglas
ISGT Joseph C. May
SFC Dan E. Carraghann
SFC James J. Feltrine
SFC Hernandez J. Matos
SFC James P. Stroness
SSG Lester Armstrong
SSG Roderick J. Davis
SSG Albert J. Galvatek
SSG Carl E. Groat
SSG Albert G. Kulas
SSG James R. Lanna
SSG Darrell Harding
SSG Richard F. Leno
SSG Richard D. Lussler
SSG David Magliaro
SSG George C. Shaw
SP4 Hubert W. Jenkins Jr.
SGT Kenneth W. Cochran
SGT Rafael Gomez-Calvo
SGT Kenneth C. Stocker
SP4 Willie Albert
SGT William C. Adams
SGT Donald J. Brown
SGT Daniel David
SGT Carl Davis
SFC William L. Felicaty
SGT John Groves
SGT Honor H. Harrois
SGT Robert E. Hardesto
SGT Lee A. Henrickson
SGT John W. Kerestian
SGT John Koozner
SGT Henry Mallan
SGT Ronald D. Pugh
SGT Willard Ray
SGT John Reid





- | | | |
|--------------------------|---------------------------|-------------------------|
| SGT Timothy Sands | SP4 John J. Pfeiffer | PFC Darrell N. Davis |
| SGT Charles Selby | SP4 Harry M. Soud | PFC Joe A. Doty |
| SGT Dennis Stronman | SP4 Ronnie Rash | PFC Gary A. Dyer |
| SGT Fritz Tuermer | SP4 Ronald Reddington | PFC James B. Earley |
| SP4 William M. Baker | SP4 Richard Rose | PFC Dennis L. Erbekking |
| SP4 Gary L. Bieman | SP4 Robert Rosenfeld | PFC Jerome Edwards |
| SP4 Locke Bishop | SP4 Harold Sanders | PFC Wayne Freeman |
| SP4 William Braker | SP4 Benjamin J. Schantz | PFC Larry L. Grant |
| SP4 Billy J. Brower | SP4 Walter R. Schwab | PFC Robert Grant |
| SP4 James S. Brito | SP4 Thomas J. Scialenti | PFC Harold W. Gray |
| SP4 Charles H. Bullock | SP4 Jack L. Sefton | PFC Earl P. Groh |
| SP4 William C. Burns Jr. | SP4 Ray Schweitzer | PFC Floyd R. Gonzalez |
| SP4 Bradford Child | SP4 William Szymoniak | PFC David P. Halpin |
| SP4 Robert Curry | SP4 Clarence C. Smith Jr. | PFC Earl H. Harner |
| SPT Gary D. Dahn | SP4 Vernon E. Smith | PFC Lawrence W. Hinkle |
| SP4 Donald Decker | SP4 Joseph Solano | PFC Dennis R. Jones |
| SP4 Douglas E. Fox | SP4 David R. Stewart | PFC Jerome W. Jacobson |
| SP4 Kurtze F. Head | SP4 Marvin R. Susskarn | PFC Orlan Kovic |
| SP4 George F. Hernandez | SP4 Robert Taylor | PFC David R. Lawson |
| SP4 David L. Holtbauer | SP4 Ralph E. Thomas | PFC Thomas F. LePore |
| SP4 James S. Harrison | SP4 Eugene S. Thompson | PFC Paul S. Lowe |
| SP4 Philip F. Harroven | SP4 Larry L. Taffey | PFC Gerald B. McGrath |
| SP4 Eddie Jackson | SP4 James C. Watkins | PFC Donald Martin |
| SP4 Randy Jackson | SP4 William W. Wauders | PFC Ralph Miller |
| SP4 John Katsmar | SP4 Lawrence B. White | PFC Gary M. Mueller |
| SP4 Charles Lascala | SP4 David A. Wilmes | PFC David L. Muroch |
| SP4 Frank J. Lapro | SP4 Robert J. Byrne | PFC Richard F. Girelli |
| SP4 Elmer W. Logertani | SP4 Lee A. Decker | PFC Darrell D. Priddy |
| SP4 Reginald Long | PFC Richard Altemund | PFC Buford Rowe |
| SP4 Edward Mahoney | PFC Donald J. Berg | PFC James E. Ryanell |
| SP4 Ralph M. Martin | PFC Jack D. Bell | PFC William J. Schmitt |
| SP4 Terrence McKay | PFC Charles M. Barba | PFC Ray N. Sears |
| SP4 Raymond J. Cleck | PFC Richard S. Baker | PFC Stephen M. Tremblay |
| SP4 Dennis J. O'Neil | PFC Harry P. Butler | PFC John M. Tierner |
| SP4 Terry R. Lenz | PFC Keith Casey | PFC William Zelenhoff |

- PFC Richard S. Zeteno
PFC Lawrence D. Wilkins

COMPANY B

- CPT Wayne K. Koell
Commanding Officer
- 1LT John R. Bobb
1LT Louis A. Fejesberg
1LT Donald F. Merritt
1LT Gote A. Ostera
CWO Herbert M. Ayars
CWO Carl F. Cox
CWO Willis F. Reynolds
WO Richard L. Bennett
WO Henry F. Lenz
1SG William Messenger
SFC Armando O. Andrade
SFC Preston Alford
SFC Howard F. Cary
SFC Francisco F. Green
SFC Raymond Gai
SFC Ronnie M. Poe Jr.
SFC Levi E. Watts
SSG Michael M. Blair
SSG Preston Browning
SSG Richard P. Gilman
SSG Charles G. Hughes
SSG Pavel J. Machnik
SSG Gerald D. McIntosh
SSG Homer M. Bessinger
SSG Richard Sommerella
SSG James A. Stockton
SGT Charles W. Barchard

- SGT Howard P. Clark
SGT Karol T. Guelrich
SGT Clayton Squire
SGT Francis E. Watts
SP5 Robert W. Allen
SP5 Harvey Brochu
SP5 Edwin W. Burch
SP5 John R. Byrd
SPT Wayne Cole
SP5 Allan A. Davidson
SP5 Clarence J. Davis
SP5 James L. Davidson
SP5 Carlos M. Gonzalez
SP5 Grady L. Hambrick
SP5 Harold D. Hyde
SP5 John T. Lutz
SP5 Gerardo E. Layton
SP5 Bryce F. Lindsay
SP5 Ronald B. Lorrelino
SP5 James K. Lyons
SP5 Ronald Nyko
SP5 Robert J. McSpadden
SP5 John E. Ruckelshaus
SP5 Mack Siscoe Jr.
SP5 Lloyd W. Thomas
SP5 Norman L. Theobald
SP5 Buster F. Walling
SP5 William Whead
SP5 Fred L. Yeates
SP4 William B. Anderson
SP4 Carlo J. Bogiovanni
SP4 Kenneth W. Boyer
SP4 Carl D. Bunn
SP4 James L. Cartwright
SP4 Lloyd V. Chambers
SP4 Richard Chambers
SP4 Roy A. Cummings



- SP4 William Corley
SP4 Dean P. Copetas
SP4 Walter W. Davis Jr.
SP4 Frank De Joux
SP4 Dale W. DeFosse
SP4 James E. Dobson
SP4 Rudy Ferrini
SP4 Ralph C. Feiler
SP4 David Fisher
SP4 Louis C. Gibeid
SP4 Bruce A. Garland
SP4 Felix Gierowski
SP4 David S. Giddings
SP4 Joseph G. Gooding
SP4 Joseph G. Goodman
SP4 Philip M. Gilman
SP4 Richard P. Gray
SP4 Philip E. Guinard
SP4 Carl D. Hall
SP4 James Harrison
SP4 William J. Hart
SP4 William J. Healy
SP4 John H. Hearn
SP4 George J. Hesseath Jr.
SP4 William Herrensing
SP4 Terence P. Hoffman
SP4 John J. Hojnacki
SP4 Stephen Hunter
SP4 Robert Isadora
SP4 Marshall W. Jarger
SP4 Steven F. Johnston
SP4 Merrin Jones
SP4 Rick B. Jones
SP4 Donald K. Land
SP4 John J. Lantinen Jr.
SP4 Gary F. Lawrence
SP4 John L. Leonard
SP4 Walter F. Lowak
SP4 James D. Malley
SP4 Richard L. Mikoyshki
SP4 Richard A. McOde
SP4 Robert T. Newman
SP4 Gerald A. McCarter
SP4 Fred A. Mora
SP4 Larry G. Nokes
SP4 Frederick H. Olliver
SP4 Victor M. Osoiro
SP4 Daniel Owsley
SP4 Russell Palmeri
SP4 Jerry L. Parker
SP4 Ronald F. Pearson
SP4 Thomas R. Perrengron
SP4 Gaston Peterson
SP4 Fred E. Pietrowski
SP4 Thomas K. Pollard
SP4 Henry A. Pouttit
SP4 Jack G. Pugh
SP4 Bill R. Reeves
SP4 William D. Riley
SP4 John V. Rutkowski

- SP4 James A. Saeger
SP4 Roy Sanders
SP4 Nicholas Santana
SP4 Kenneth E. Schram
SP4 James A. Schaefer
SP4 James M. Shires
SP4 Joseph Spencer
SP4 Bradford S. Stone
SP4 Roy V. Stout
SP4 Jerry Taylor
SP4 David P. Thirion
SP4 John Whitral Jr.
SP4 Billy Williams
SP4 James A. Wright
SP4 Charles T. Wages
PFC Terry W. Allen
PFC Lewis O. Ash
PFC Arthur C. Baiker
PFC Kenneth W. Bear
PFC Thomas Begay
PFC James F. Bell
PFC Roy E. Blosser
PFC Donald Bennett
PFC Michael A. Bradley
PFC Robert H. Bradman
PFC Richard A. Brown
PFC Dennis F. Brown
PFC Robert J. Buzzeni
PFC John Carter
PFC George Chaney Jr.
PFC Harry L. Cloaser
PFC Bobby D. Cunningham
PFC Leo K. Dahlberg
PFC David D. Dornier
PFC Rickey L. Dear
PFC James H. Drendale
PFC Dennis B. Tarnes
PFC James L. Eisher
PFC Nester B. Estess
PFC James R. Givenski
PFC Steven Gachapin
PFC Lawrence A. Fols
PFC Charles Griggs
PFC Donald F. Glen
PFC Jeffrey Gironozoski
PFC Davis J. Gore
PFC Harry M. Griffin
PFC Terry M. Golden
PFC Lammie D. Griffin
PFC Stanley M. Hafak
PFC Walter A. Harrison
PFC Stephen Hartley
PFC Russell O. Hughes Jr.
PFC Warren W. Jenkins
PFC John T. Jones
PFC Robert V. King
PFC Wayne Langers
PFC Stephen Lelik
PFC Larry A. Leonard
PFC Daniel Litman

- PFC Paul W. Land
PFC Ervin D. Landing
PFC Jerry D. Lisle
PFC Gerald J. Marrota
PFC Joseph I. Marrota
PFC Salvatore Marrota
PFC James C. Mayberry
PFC Thomas R. Meritt
PFC Euben W. McBrown
PFC Jack L. McLain
PFC Roy Mitchell Jr.
PFC Theodore B. Moore
PFC Martin M. Peters
PFC Walter E. Peterson
PFC Nathan P. Patrick
PFC Larry D. Phillips
PFC Roy W. Philpot
PFC Clarence Price
PFC Jack L. Pooky
PFC David E. Quaid
PFC Roger Rupp
PFC Roger M. Kall
PFC Frank Reimer
PFC Theodore Romanowski
PFC Billy J. Robinson
PFC Patrick Rotter
PFC Isuro Sarrago
PFC Lawrence K. Skiba
PFC Robert J. Spores
PFC Jerry A. Smith
PFC Warren E. Stapleton
PFC Carl J. Steberg
PFC Douglas W. Stiles
PFC Charles W. Swabby
PFC Thomas S. Tansky
PFC Yarnel C. Valdar
PFC Melvin Viss

- PFC Larry Washington
PFC James L. Welborn
PFC Robert W. Wharton
PFC Van D. Wilkerson
PFC Robert L. Witt
PVT William M. Begley
PVT James L. McGill
PVT Richard L. Russell
PVT Harry S. Schone

COMPANY C

- CPT Jerry K. Chambers
Commanding Officer
- CPT Donald Mocking
CPT John F. Stahler
1LT Dennis E. Greeman
1SG Douglas Bland
SFC Harry Guinard
SFC William B. Sieger
SSG George D. Barz
SSG William E. Davis
SSG Harvey A. Dyer
SSG Milton Hernandez
SSG Phoenix J. Galtier
SSG Joseph Lowe Jr.
SSG Walter K. Mann
SSG Theodore Parker
SSG Leroy Griffith
SGT Marvin E. Sunch
SGT Robert L. Earnest
SGT Frederick A. Fitzhugh
SGT John D. Jordan
NGT James A. Osborne
SGT James Perez
SGT Michael P. Thomas
SGT Troy A. Vance
SGT Robert G. Wala
SGT Robert C. Kelly
SP4 Garret L. Bakker

- SP4 Ronald M. Baka
SP4 David A. Buzcek
SP4 Vincent J. Cattarano
SP4 Gary W. Elgerman
SP4 Augustine Garcia
SP4 Coy F. Garratt
SP4 Kenneth Gibbs
SP4 Eugene Gardner
SP4 Michael F. Grogg
SP4 Philip Guinard
SP4 George D. Hatfield
SP4 Edward R. Henkelman
SP4 John W. Johnson
SP4 Timothy J. Johnson
SP4 Brian L. Karry
SP4 John D. Mitchell
SP4 Robert R. Niven
SP4 Fige V. Paes
SP4 Robert L. Petti
SP4 Frederick H. Raymond
SP4 William C. Rice
SP4 Donald R. Robinson
SP4 Robert L. Smith
SP4 Hunt B. Wagstaff
SP4 Patrick Webster
SP4 John L. Washington
SP4 Phineas J. Galtier
SP4 Joseph Lowe Jr.
SP4 Anthony J. Albory
PFC Kenneth Oser
PFC Jerald L. Allen
PFC Kenneth Carnahan
PFC Douglas Coughlan
PFC Larry O. Dick
PFC Isao Kawamura
PFC Charles T. McCahey
PFC Louis Lonto
PFC Herbert Mallard
PFC Michael L. Ruggieri
PFC Douglas Senterholm
PFC Jerome L. Wala
PFC Robert O. Zetterover



A third yearbook for the 196th LIB was produced in 1971 but did not include the 8th Support Battalion materials. This was because the 8th Support Battalion had disappeared from the Army rolls after a re-organization on 15FEB69.



AVBFHO
March 1967

7

SUBJECT: 196th LIB Operational Report for Quarterly Period Ending
31 January 1967. (RCS CSFOR - 65) (U)

(6) Maintenance.

(a) The maintenance platoon of the **8th Support Battalion** supported many non-brigade units. However, the 548th Lt Equipment Company will phase into operation on 1 Feb 67, taking over the support of non-Brigade units.

(b) The maintenance platoon completed its move to a permanent location during January 1967. Operation at complete capacity was realized on 21 January 1967.

(c) The following is a completion of job orders for the reporting period by type: wheeled vehicles 95, artillery 69, small arms 302, signal 652, fire control 281, engineer equipment 93, office machines 31, service and evacuation 277.

AVDF-CG
1968

8 February

SUBJECT: Americal Division Operational Report for Quarterly
Period Ending 31 January 1968 (RCS-CSFOR-65) (U)

(8) The same USARPAC General Order inactivated the following units, effective 15 Jan 68.

(f) **Co A, 8th Spt Bn**

The Senior Officer Debriefing comments by then MG Samuel Koster, former Americal Division Commander:

It might be well at this time to address the logistical organizations of our three separate infantry brigades. With these brigades having their own organic support organizations, we gain considerable flexibility in being able to move brigades with ease anywhere within the I Corps Tactical Zone. A recent example was the move of the 196th Infantry Brigade to Camp Evans, some 165 miles to our North. The 196th Infantry was able to move on short notice without any appreciable decrease in the logistical support provided them when they became operational at their new location. The brigade simply moved with the major elements of its own **8th Support Battalion**. Had Americal Division been a normal ROAD division, it is probable that this move would not have gone as smoothly as it did, and most probably, logistics support to other division units which remained in the Chu Lai area would have suffered somewhat.

This flexibility and ease of movement of major units is gained at the expense of some personnel spaces. Support battalions of the brigades produce duplication of logistical efforts, in that the support battalions are all performing essentially the same functions, which in turn, are also being carried out by the division support command. In my opinion, the cost of this duplication of effort is more than offset by the flexibility which we enjoy.

AVDF-GC
1968

7 November

SUBJECT: Americal Division Operational Report for Quarterly
Period Ending 31 October 1968.
(RCS-CSFOR-65) (RI) (U)

(6) Fourteen CI inspections were conducted of the following division units: 160 Engr Det; 14th Avn Bn, **8th Spt Bn**; 1-52 Inf; Co E, 51st Inf (LRP); H Troop, 17th Cav; HHC, 11th Bde (52d MID, 90th Chem Det, 302); 3d Bn, 1st Inf; 4/3 Inf; 1/20th Inf; and 6/11th Arty.

for fighting men too busy to keep their own!

SOUTHERN HOSPITALITY

TAY NINH, Vietnam "Y'all come", a popular greeting in the South, has been extended by the mess hall of **Company A, 8th Support Battalion, 196th Light Infantry Brigade**, to Company C in the same battalion.

Company C is rebuilding its mess hall, and its men are now eating at Company A.

The greeting's southern tone stems from the hometowns of the cooks: PFC Harry Butler, Hendersonville, Tenn.; PFC Keith A . Casey, Enoree, S.C.; SP4 Dick Clark, Newport, Ky.; SP4 Ron Head, Greenville, S.C.; and SP5 Carl Davis, Red Springs, N.C. Specialist 5 Romel Melson from New York City was born in Elizabeth City, N.C.

(Only SP4 Elmer Logemann (Milwaukee) and SSgt. Mike Yarmon (Denver) are not from the South.

Company A is actually returning a favor to Company C. Company C lent a helping hand when some of Company A's cooks became casualties.

After all, Southern Hospitality is only fitting in South Vietnam.

First Snipers Set For Action

CHU LAI, Vietnam--The 196th LIB has established the Army's first modern sniper school, taking the lead in the Army's new sniper program. Originally scheduled to open in April, but delayed by the brigade's move to Chu Lai, the school now has graduated the first class of Army snipers in Vietnam. Development of the school was begun in December, 1966 at the suggestion of Brig. Gen. Richard T. Knowles, the brigade commander.

The first 12 graduates attended a six-day course which combines classroom instruction and intensive live-and dry-firing practice with the sniper's weapons, a telescope sighted M-14 rifle and the XM-148 rifle and grenade launcher. Using instructors from the brigade's Charger Academy and a make-shift rifle range at brigade headquarters near Chu Lai, the school gives the infantrymen a comprehensive education covering all aspects of the sniper's job.

The school was organized by Capt. Russell De Vries, officer in charge of the Charger Academy, Lt. Thomas R. Henneberry, officer in charge of the sniper committee, and SFC Herbert L. Donally, non-commissioned officer in charge of the school. Donally attended the Marine sniper school at Danang, and the Marine course formed the basis for the 196th school. DeVries, Henneberry and Donally modified the Marine course, adding special classes and deleting others.

The classes teach practical subjects the snipers must know. There is heavy emphasis on target detection and identification, range determination, and the effects of wind and weather on accuracy. Other classes include map reading, radio-telephone operation, and forward artillery observer procedures. The student snipers practice on camouflaged stationary and moving targets, at ranges up to 700 meters with the M-14, and spend considerable time learning to use the XM-148 with speed and accuracy.

MOST OF the practice time is spent refining shooting techniques with the special M-14 rifles which will be standard equipment for the brigade's snipers. Donally put together a hybrid combination of rifle and telescopic sight, using the M-84 2 1/2 power scope originally intended for the M-1 rifle. To mate the sight to the M-14, the sergeant designed three prototype models for scope mounts which were hand made by the ordnance section of the brigade's **8th Spt. Bn.** Choosing a final design, Donally had duplicates constructed by the 64th Ord Section at Cu Chi.

Drawing on his eight year's experience with ordnance and

Army rifle teams, Donally then went to work refining the M-14's, paying particular attention to lightening and smoothing the trigger pulls of the weapons. Leather shooting slings and cheek pieces, also originally designed for the M-1, were obtained and attached to the stocks of the sniper rifles.

When they began operations in the field, the sharpshooters will work in two-man teams, one may using the M-14 while the other stands ready for closer fighting with the XM-148. If large groups of Viet Cong are encountered, the snipers are thoroughly schooled in directing artillery strikes. With the help of 20-power spotting scopes they will be able to detect movements at extreme distances, and reconnaissance will be a natural part of the sniper's mission.

The first class of 12 was drawn from the brigade's three infantry battalions and its cavalry troop. Upon graduation, they will return to their units for use in their new specialty. Present plans call for each infantry battalion and the cavalry troops to have a complement of snipers, and more men will be trained for the job as weapons and sights become available.

As a result of Army interest in the sniper program, other units in Vietnam will open schools of their own, forming the basis for a three-month Army study and evaluation of snipers, their weapons and successes.

Photo caption -"Charger Hotel". (Long barracks type building with a short stack of sandbags around the building. Sign in on the side of the building hard to read, but may have some relation to the Charger Hotel.

photo credit- Farslow

What does an infantryman dream about? Hot showers; thick steaks and beer; maybe just a chance to relax and forget about war for a while. And that's exactly what he's going to get if he's a "Charger" of the 196th Inf. Bde. on stand-down.

Periodically, every line company of the brigade is given a three-day respite from the rigors of the field and sent to Chu Lai for a short stay at the "Charger Hotel." There's no charge at the "Charger," and no extra duties for the men. All they are required to do is rest and enjoy themselves.

Bde. Special Services Officer 1LT Gerry Kohl explained the program. "During their stay, the infantrymen have a chance to relax, enjoy recreational facilities, replace or repair worn or damaged equipment, and iron out various financial and personnel problems they have."

After the men have left the helicopters that picked them up in the field, they board two-and-one-half ton trucks for the short trip to the stand-down center. The hotel staff greets the men and gives them a briefing on what to expect and where everything is located.

Weapons and equipment are then turned in for inspection by a detachment from the **723rd Maint. Bn.**, and all defective items are repaired or replaced. In addition, a medical team from the **196th's C Co., 8th Spt. Bn.** is on hand to take care of any medical problems, and bring shot and medical records up to date.

In the afternoon, the men are offered the chance to visit someone many of them have not seen in a long, long time...the Chu Lai barber. After the haircut, the men have the rest of the day of to enjoy the varied activities available in the "Charger Hotel" area.

These include pool and ping pong tables, a basketball

Photo caption - A Time To Read, Relax, . . . (A man sitting reading near the beach). Photo caption -Write, Think, Reflect (A man sitting at a desk writing) Photo credits - Farslow

court, and an area for playing cards.

"The shower room also gets plenty of first-day use," said LT Kohl. "For most of the men, this is the only time they are able to get a teal hot shower except on R&R."

The second day, clerks from Finance and AG Personnel strive to help the men solve any problems they may have. They may make out new allotments, review their 201 files, and have all their records screened. New dog tags and identification cards also are available to replace those which have been lost or damaged in the field.

At least once during the company's stay, religious services are conducted by brigade chaplains.

One very popular activity during stand-down is a visit to the Americal Central Post Exchange. Through special arrangements with the PX officer, it is pre-stocked with a number of hard-to-get or scarce items, such as cameras, watches, and tape recorders. The doors of the exchange are opened one-half hour early for the company, and no one else is allowed in till normal operating hours.

On the final day at the "**Charger Hotel**", a trip to one of the Americal beaches is organized. In addition to being able to swim and sun, the infantrymen are treated to a cookout with all the steak and side dishes they can eat. There is also plenty of cold beer and soda for the "Chargers" to drink.

The evenings during stand-downs are a busy time for the men at the hotel. There are many forms of entertainment available, such as TV, movies, live shows, or just lounging around in their two-man rooms.

The live shows are the most popular form of entertainment and generally draw the largest crowds. As one "**Legionnaire**" from the **2nd Bn., 1st Inf.** said, "This is the first real live show that I've seen since I've been over here, the girls are really wild!"

"Disbelief is the continual reaction of the soldiers from the time they first see the hotel until they leave to go back to the field," commented SGT Sam Leehe, NCOIC of the stand-down center. "When they see a two-story building with all these facilities they just cannot believe their eyes," he added.

In praising the hotel, also known to the men as the "Chu

Lai Hilton," CPT John Wolfe, CO of **B Co., 4th Bn., 31st Inf.** said, "The hotel and aims of the program are beautiful. My men really enjoyed this rest, and they certainly deserved it."

The 196th obtained the facility in December, 1967 and the first unit to use it was **D Co., 3rd Bn., 21st Inf.** "Few companies were able to use the hotel at first because of the constant heavy contact during the Tet offensive. Since the 196th moved back from Camp Evans in May, the stand-down area has really been busy" said LT Kohl. "If all goes well, each line unit should return every 90 days," he concluded.

The 196th stand-down program and "Charger Hotel" give the infantrymen of the brigade something to really look forward to. It builds morale and gives them a chance to relax before returning to the field as more effective fighters.

An article from the Army Reporter Newspaper:

17Dec66-Xmas Tree At 196th

TAY NINH, (196th INF-IO) -Captain Charles B. Griffiths, the **8th Support Battalion's** S-1 officer, scored a "First" within the Army's 196th Light Infantry Brigade.

Griffiths can boast that he has received the first Christmas tree in the brigade.

The artificial tree, about eight feet high, was sent by Griffiths' wife Mary, and their two children. The children told their mother that "if we are going to have a Christmas tree, so is Daddy," said Griffiths.

The traditional ornaments were also sent. "I plan to set the tree up in the battalion area. There will be a trimming ceremony on the 24th of December," said Griffiths.

A similar article was published in the 25th Inf.

Division. Vol 1 No. 41

TROPIC LIGHTNING

NEWS

December 2, 1966

Page 10

An article from the Army Reporter:

08Apr67-196th Officer Aids Vietnamese Girl Half Blinded By Smallpox

TAY NINH, (196th INF-IO) - "A cuter little girl I've never seen, but here eyes were like two pools of muddy water."

These were the words of 1st Lt. John Gilkey, executive officer of the **196th Light Infantry Brigade's Company C, 8th Support Battalion**, when on a visit to a Vietnamese village near Tay Ninh city, he met Chi a seven-year-old Vietnamese girl whose eyes bore permanent scarring from smallpox.

Gilkey, himself the father of a seven-year-old girl, decided to do something about Chi's plight. Contact was made with the ophthalmologist at the Army's 3rd Field Hospital in Saigon. Soon the lieutenant was en route to the Vietnamese capital with here, for corrective surgery.

"The permanent scarring could not be corrected," Gilkey explained, "but there is still hope for improving her fast-fading eye-sight. The operation consisted of making a slit on the upper edge of the corner of the right eye, permitting more light to enter."

The operation was only the first step to help Chi in her fight against eventual blindness. Over a period of weeks, an exhausting series of eye exercises were administered to teach her to use the corrected right eye and reduce the strain on here overworked left eye. **Medics from Co. C**, which operates the brigade dispensary, made three visits weekly to her village to assist in the post-operative exercises.

Now, six weeks after Gilkey's initial contact with Chi, and after three trips to Saigon and many post-operative visits to her village, she is able to see images clearly that had previously been a blur.

This same article appeared in the 25th Inf. Division's **TROPIC LIGHTNING NEWS April 10, 1967 issue on page 7.**

From the Americal Division quarterly operations and lessons learned reporting for the quarter ending April 30, 1969:

b. Upon receipt of USARPAC GO 113, 10 February 1969, the following units were inactivated and assets transferred as indicated:

(1) 6th, **8th**, and 9th Support Battalions of the Separate Infantry Brigades.

(a) Medical Companies of the Support Battalions were transferred to the 23d Medical Battalion.

(b) Supply Platoons of the Maintenance and Supply Companies were transferred to the 23d S&T Battalion.

(c) Maintenance and Parts Platoons and Company Headquarters of Maintenance and Supply Companies were transferred to the 723rd Maintenance Battalion to form three Forward Support Companies.

(2) The 11th, 49th, and 156th Signal Center Platoons were transferred to the 523d Signal Battalion and became the Forward Area Signal Center Platoons of that unit.

(3) The 406th TC Detachment and the 449th Signal Detachment became elements of the Transportation Maintenance Co of the 723d Maintenance Battalion.

(4) The 258th Personnel Services Company assets were transferred to the 23d Administration Company.

A battalion newsletter had been published for the battalion, as noted by these comments in the Americal Division Quarterly operations and lessons learned reporting for the quarter ending April 30, 1969: **The unit newsheet of the 8th Support Battalion was discontinued due to reorganization.**

An example of a 196th LIB S2/S3 daily report from 1 September 1966.

DAILY STAFF JOURNAL OR DUTY OFFICER'S LOG
 S2/3 Journal
 196th Lt Inf Bde Vic TAY NINH (XT165522)

Page No 1 No of Pgs 6

0001 1 Sep 66 2400 1 Sep 66

01	0001	Journal opened.		
02	0140	2/14 Inf: called reporting they had a man bitten by a snake. Medic applied tourniquet and because of the swelling of the hand he thinks the snake was poisonous. Approx time of the bite 010115 Sep 66. Coord XT172514.	S	JBB
03	0145	Lt Gilch and Capt Marshall, Co C, 8 th Spt Bn was notified and requested to dispatch ambulance to 2/14 TOC - XT172514.	S	JBB
04	0205	2/14 TOC reported that man with snakebite has been picked up by ambulance and is on the way to 8 th Spt Bn aid station.	S	
05	0220	4/31 Inf: SITREP NO CHANGE	S	JBB
06	0230	Co C, 8 th Spt Bn reports patient admitted, checked by Capt Marshall and is doing fine.	S	JBB
07	0320	4/31 Inf: SITREP NO CHANGE	S	JBB
08	0350	2/14 Inf: SITREP NO CHANGE	S	JBB
09	0420	4/31 Inf: SITREP NO CHANGE	S	JBB
10	0450	2/14 Inf: SITREP NO CHANGE	S	JBB
11	0500	3/21 Inf: Ambush patrol returned.	S	JBB
12	0520	4/31 Inf: SITREP NO CHANGE	S	JBB
13	0552	2/14 Inf: Ambush patrol departed position.	S	JBB
14	0600	2/14 Inf: SITREP NO CHANGE	S	JBB
15	0604	2/14 Inf: Patrol closed base camp.	S	JBB
16	0725	SF "D" TM: Requested a light gun team for Trai Bi.		
			S,Avn Off, Lightning 14	WAR
17	0735	Bde elements notified of condition RED on all	S,T	JBB

Name and Grade of Officer on Duty
 JAMES H. LEONARD, Major, S-3

Signature
 (James H. Leonard)

This is an example of a 196th LIB situation report:

CG 196TH LT INF BDE

CG 25TH INF DIV

SITREP 291801 - 301800 OCT 66.

1.(C) Operations Summary.

a. General. 196th Lt Inf Bde continued operation ATTLEBORO. Co A, 3/21 Inf terminated BUSHMASTER operation in AO-3. 4/31 (-) Inf conducted airmobile operation commencing 301316 Oct 66, to vic XT4349. 2/1 Inf (-) continued evacuation of rice cache and conducted S & D operations vic XT4449. **Sixty personnel of 8th Spt Bn assisted in the evacuation of the rice cache.** From 300605 Oct 66, the 3rd plat, F Trp conducted a route recon (ROADRUNNER) from TAY NINH to XT114704 and return. At 300615 Oct 66, 2d plat, F Trp conducted a security mission (ROADRUNNER) for four 8" and two 155mm howitzers from TAY NINH to XT114704. The plat and the howitzers closed base camp at 301710 Oct 66.

.....

This is an example of a 196th LIB Situation report:

CG 196TH LT INF BDE

CG 25TH INF DIV

SITREP 071801 - 081800 Nov 66

1.(C) Operations Summary.

a. General. 196TH LT INF BDE (FWD) CONTINUE OPERATION ATTLEBORO II UNDER THE OPERATIONAL CONTROL OF 1ST INF DIV. 196TH LT INF BDE (REAR) CONTINUED BASE CAMP SECURITY AND PATROL ACTIVITY AT TAY NINH. ONE SQUAD, COMPANY D ATTACHED TO BTRY A, 3/82 ARTY AND AT PLATOON (-) SECURING BTRY B, 3/13 ARTY (-) AT XT165553. 8TH SPT BN DISPATCHED A 107 VEHICLE CONVOY FROM TAY NINH TO CU CHI AT 1500 NOV 66. **COMPANY C, 8TH SPT BN RECEIVED 21 DUSTOFF HELICOPTERS WITH 20 US KIA AND 44 US WIA.** FTRP, 17 CAV, CONDUCTED OVERNIGHT AMBUSHES AT XT180494, XT152532 AND XT148547 with no contact. FTRP CONDUCTED A RECONNAISSANCE FROM 0815 TO 1545 HRS FROM BASE CAMP TO XT148493 WHERE 100 PUNJI PITS WERE DESTROYED.

196th LIB Situation report excerpt:

CG 196TH LT INF BDE

CG 25TH INF DIV

SITREP 211801 - 221800 Nov 66

1.(C) Operation Summary:

a. General. 196th Lt Inf Bde continues operation ATTLEBORO with 2/1 Inf securing route 26 in sector and continuing patrols in the vicinity of route 26. Ambush patrolling vicinity of TAY NINH base camp continued. Two company size airmobile operations were conducted in TAY NINH AO. F/17 Cav conducted a ROADRUNNER from TAY NINH to SUOI DAU from 0815 - 1425 hrs and escorted A/3/13 Arty to SUOI DAU during that period.

(1) 2/1 Inf: 2/1 Inf continued operation ATTLEBORO securing route 26 in AO BLUE. Ten overnight ambushes were established along route 26 with no contact. At 0700 hrs the battalion commenced clearing route 26 and dispatched patrols in AO BLUE. At 0950 hrs, patrol of Co A discovered three feet of tail section from UH-1D helicopter at XT381473 which was from a helicopter downed in 12 July 66. At 1230 hrs, two 2 ½ ton trucks Nov 1966 from HHC received 3 rounds of SA fire at XT291501. Fire was not returned and no friendly casualties resulted. At 1545 hrs, Co C destroyed seven anti-personnel mines (Bouncing Betty) at XT342456.

(2) 3/21 Inf: At 0940 hrs, Co C (-) commenced airmobile assaults into LZ (XT146457) and conducted S&D operations to XT146457, XT150460 and XT139482. At 0940 hrs, an armed helicopter from 116th Avn Co supporting Co C (-) airmobile assault received SA fire vic XT153466. An artillery mission was fired in the area with unknown results. At 1055 hrs, one small bunker was destroyed at XT150460. At 1615 hrs, Co C (-) was extracted leaving two platoons to conduct stay behind ambushes. Two platoons, Co B secured the laterite pit from 211800 - 220700 Nov 66. At 2207 hrs, 4 VCS were apprehended at XT113496 and evacuated to MP control. 30 shotgunners and 4 gun jeeps secured the 588th Engr laterite convoy from 211800 to 220700 Nov 66. Co A conducted platoon size overnight ambushes at XT143489 and XT159490 with no contact. One platoon, Co C continued to secure B/3/13 Arty at XT165553. Tow squads, Co D secured the laterite pit from 220700 - 221800 Nov 66. One platoon, Co D and one attached platoon from **8th Spt Bn** secured the battalion's sector of the brigade perimeter. At 2156 hrs, bunker #3 engaged suspected VC movement with one hand grenade. Results at the actions are not known.

An article from the Army Reporter Newspaper:

02Sep67-**Baptist Sunday School Sends Clothes to Vietnamese Kids**

CHU LAI, (196th INF-IO) - The communications officer for the **196th Light Infantry Brigade's 8th Support Battalion**, 2nd Lt. Charles E. Gilliam, recently received two packages of clothing for Vietnamese children, donated by the Sunday School of Mt. Zion Baptist Church, Wilkes-Barre, Pa.

Collected by the children as a Sunday School class project, the donation also included soap, tooth brushes, combs, and other hygienic aids.

Gilliam's wife, Estelle, supervised the project which was begun by the American children to help some of the Vietnamese children in Gilliam's area near here. The battalion's civil affairs officer, 2nd Lt. Michael E. Bodine, turned the clothing over to the district chief of Binh Sonh District, requesting that it be given to children in Binh Viet village, ten miles south of here, in Quang Ngai Province.

A transcribed entry from the 11MAY68 Americal Division daily S2/S3 report:

A delayed report entry #100 made at 1619H. Captain Vivanco of the Chu Lai Defense Command reported from BT541025, a chopper dropped a load of ammunition vicinity BT541025 in front of the 8th Support Battalion 300 meters south of Gate #3. Ammo is burning now. At 1627H: MPs, EOD, and fire trucks notified by Chu Lai Defense Command. Task Force Roach also had a unit see the ammo drop from chopper. They will send someone to check it out as soon as the fire gives out. 1810H: CLDC states that area has been cleared - LT Hernandez....

This is from an article published in the Americal Division's weekly newspaper, the "Southern Cross".

27Sep68-Southern Cross Vol. 1 No. 8. Page 8

Belligerent Boa Bows After 2-Hour Battle

BY 1LT MIKE WOLFGANG

Press Operations OIC

CHU LAI--A two-hour battle waged with rocks and clods of dirt against an enemy infiltrator ended in victory recently for three bunkerline guards assigned to the **8th Spt. Bn.**, 196th Inf. Bde.

The foe was an eight-foot-long boa constrictor.

"We first saw the snake shortly after 11 p.m., related SP4 Angel Cruz, "when it crawled into the grass and weeds in front of the bunkerline. We didn't know what kind it was, but that didn't matter. It was long, big and ugly."

The snake remained out of sight until after 3 a.m., when one of the guards spotted its huge bulk slithering silently towards the bunkerline.

"I guess we were all relieved when we saw the thing again. No one had been able to sleep because the boa had originally crawled from the bunkerline," Cruz shivered noticeably.

Hasty Call To OD

With the "enemy" assaulting towards the men's position, a call was hastily made to the officer of the day.

"I informed him that a big snake was coming toward us," recalled SP4 Marblen Sanders. "I asked for permission to open up on him, but he told me to 'detain' the creature until he could get someone down with a machete to cut its head off!" The young specialist smiled faintly.

Persistent Serpent

SP5 James Leverette explained, "Our 'friend' had appeared again trying to cross the road in front of us. I made a charge at him and he turned and went back into the grass.

"I'll be darned if the snake didn't come back and try his best to make that crossing. Then I trapped him....I battled with him! I really worked out with him!" the soldier remarked.

Two hours after the "battle" began, the snake became SP5 Leverette's trophy.

From the 11NOV66 196th LIB "Charger" newsletter:

seven promoted at 8th support

Seven enlisted men of the 196th Lt. Inf. Bde's 8th Support Battalion, were recently promoted in ceremonies at Battalion headquarters.'

Heading the list was newly promoted SSGT. Mikel W. Yarmon, of Denver, Colo,.

Promoted to SP/5 were Harvey G. Brochu of Sanford Maine, Harold D. Hyde of Los Angeles, California, Johnnie Chandler of Clay, Miss., Thomas L Jamison of Cincinnati, Ohio, Raymond L. Jung of Veince [Venice], Calif., and J.D. Minshaw of Nashville, Tenn.

LTC. Graham M. Sibbles, battalion commander, presided over the ceremony and offered his congratulations to the men.

purple hearts

MAJ Leguillow Rogelio, 8SPT

MAJ Royal Fyfe, 8SPT

From the 25NOV66 196th LIB "Charger" newsletter:

XMAS TREE

Captain Charles B. Griffiths, the 8th Support Battalion's S-1 officer, scored another "First" within the Army's first light infantry unit.

Captain Griffiths, of Manassas, Va., can boast that he has received the first Christmas tree in the 196th Lt. Inf. bde.

The artificial tree, about eight feet high, was sent by Captain Griffith's wife, Mary, and his two children. The Children told their mother that "If we are going to have a Christmas tree, so is Daddy," said CPT. Griffiths.

Along with the tree, the traditional ornaments were also sent to Griffiths.

"I plan to set the tree up in the battalion area. There will be a trimming ceremony on the 24th of December," CPT. Griffiths said jokingly.

Mortars welcome new arrival

PFC Chuck W. Swabby (Fresno, Calif.), ran swiftly to a bunker outside his tent at the **8th Support Battalion's** Replacement Center, 196th Light Infantry Brigade, and waited out a 30-minute mortar attack.

Returning to his bunk to catch up on his interrupted sleep, Swabby said, "What a crude welcoming, I've heard of welcoming celebrations, but none as noisy as this."

Swabby, now wide-eyed in wonderment, had just arrived at the Replacement Detachment the night before the mortar attack, and his first night there was "quite an experience."

Being new to the sounds of combat, Swabby "never knew what a mortar sounded like as it flew through the air or while exploding," he literally had to play it by ear.

"The second night I was here, someone yelled, "incoming, incoming, and everyone also started to run outside to the bunker. All I could do was follow," said Swabby.

"During the attack I kept thinking that it was a heck of a way to be greeted to this country," said Swabby.

"The next few nights I slept with my clothes on, including boots and flak jacket," added Swabby.

Swabby now knows what a mortar sounds like and is prepared for any other attacks. He even went as far as to jokingly think of a motto for himself—"Always ready."

A similar article was also published in the 25th Inf. Division newspaper: **Page10 TROPIC LIGHTNING NEWS December 9, 1966**

Awards and decorations

Bronze Star Medal (Valor)

PSG Richard Green, C-8thSpt
SP4 Ed. J. Lister, C-8thSpt
SP4 Bob A. Sroka, F-17th Cav

Army Commendation Medal (V)

2LT Jim G. Mikesell, C-3/21
SGT Terry P. Lucas, C-3/21
SP4 Gerald J. Nitka, C-3/21
SP4 Larry E. Trzupcek, C-3/21
PFC Joe C. Mrzlock, C-3/21

Army Commendation Medal (M)

SFC Sid L. Moran, HHB-3/82
MAJ John F. Clark, HHC-8Spt

Purple Heart

SP7 Tom Holland, C-8th Spt
SP4 Dick Clark, A-8th Spt
Cav]
WO1 Jim A. cook, HHB-3/82
SP4 Dennis Berky, C/4-31

SP4 R. R. Marchese, C-4/31
SP4 Dick S. Raczka, C-4/31
PFC Ray O. Spivey, C-4/31
PFC Ron E. Krahl, 175th Eng
CPT Jere J. Riggs, HHC-4/31
2LT Bob E O'Brian, HHC-4/31
SSG Herb J. Slamin, HHC-4/31
SSG Jim W. Sweat, HHC-4/31
SP4 Fred Jenkins, HHC-4/31
PFC Mike Farmer, HHC-4/31
CPT Jim Bouldin, A-4/31
CPT Antonio Sola, D-4/31
SFC Paul W. Page, A-8th Spt
SP5 Tim W. Sands, A-8th Spt
SP4 Gerald Hansen, A-8 Spt
SP4 Randy Jackson, A-8 Spt
SP4 Jack D. Murphy, A-8 Spt
PFC Dave Lawson, A-8th Spt
PFC Bufford Rowe, A-8th Spt
PFC Ray N. Sears, A-8th Spt
PFC Dave Treese, B-8th Spt
SSG Ron G. Knott, F-17 Cav
SP4 L.D. Longworth, F-Cav [F-17
SP4 Ed Perl, Trp, F-17 Cav
PVT Vern Au Clair, C/3/21

Seventeen receive gallantry crosses

Seventeen officers and men of the "Chargers" who distinguished themselves in Operation ATTLEBORO, have been awarded the Vietnamese Cross of Gallantry. The Crosses were presented by Vietnamese Lt. Generals Le Van Thueu, Chief of State; Nguyen Huu Co, Defense Minister; and Le Nguyen Khanh, III Corps Commander.

Heading the list of awards recipients was Brig. Gen. Richard T. Knowles, Brigade Commander, who received the cross of Gallantry with four palms. Lt. Col. Charles E. Weddle, brigade executive officer, was awarded the Gallantry Cross with one palm.

Gallantry Crosses with Gold Stars were presented to Lt. Col. Charles K. Nulsen, 3d Bn., 21st Inf. commander; **Lt. Col. Graham M. Sibbles; 8th Support Bn. commander;** and Lt. Col. James H. Leonard, brigade S-3.

The twelve men who received the Gallantry Cross with Silver Star were: Maj. Cedric L. Blackwell, former brigade S-2; Cpt. Clyde W. Roan, Troop F, 17th Cav.; 2Lt. George Kovac, Jr., Battery A, 3d Bn., 82nd Arty.; SFC Patrick Campbell, Co. C., 2d Bn., 1st Inf.; SSgt. Dennis E. Bird, Troop F, 17th Cav.; SP/5 James J. Mariano, Headquarters Company, 196th Brigade; SP/4 Robert H. Teall, Company A, 4th Bn., 31st Inf.; SP/4 Johnny B. Brownstead, Co. C, 3d Bn., 82d Arty.; PFC Charles E. McIntosh, Co. A, 4th Bn., 31st Inf.; and PFC William R. Sherman, Co. C, 3rd Bn., 21st Inf.

On had for the ceremony were General William C. Westmoreland, COMUSMACV; Lieutenant General Jonathan C. Seaman, II Field Force Commander and Major General Fred Weyand, 25th Inf. Div. Commanding General.

There are several operations that were supported by the 196th LIB. Basically any operation involving units of the 196th Inf. Bde. from 1966 through February 15, 1969 would involve support from the 8th Support Battalion. The following pages identify some of the operations that we have reports for. You may want to read the operation reports for these operations to learn more about the 8th Support Battalion:

I believe the first major operation that the 8th Support Battalion supported was **Operation Attleboro**.

The 8th Support Battalion supported **Operation Benton**:

(a) **The Bn provided the Bde with continuous logistical support during operation BENTON.**

The 8th Support Battalion supported **Operation Cedar Falls**:

(4) **8th Support Battalion**: Provided continuous resupply of all classes.

The 8th Support Battalion supported **Operation Delaware**:

8th Support Bn (-)

B Co (-)

C Co (-)

Det 23rd S&T Bn (10 2 ½ Ton trucks)

The 8th Support Battalion supported **Operation Fitchburg**:

(4) **8th Support Battalion**: Provided continuous resupply of all classes.

The 8th Support Battalion was supported **Operation Gadsden**.

a. **The 8th Support Battalion** provided the Brigade continuous support during Operation GADSDEN.

ANNEX D (Administrative Matters) to After Action Report, Operation GADSDEN

1. (C) Supply.

- a. Summary of Operation: On 2 February 1967, the Forward Logistical Operation Center (LOC) was established in the Battalion Headquarters of the **8th Support Battalion**. Organic units of the 196th Brigade and units attached to the brigade for all classes of supply included: 4/31, 2/1 Infantry, 3/82 Artillery, Hq and Hq Company, 196th Brigade, 3/21 Infantry, 1/5 Mech Bn, 2/34 Armor, 3/13 Artillery, 5/2 Artillery.

The 8th Support Battalion supported Operation Napoleon-Saline:

13. ADMINISTRATIVE MATTERS

a. Supply

(1) The battalion field trains were established
???????????????? S4 at the 3d Marine Division Headquarters at Dong
Ha. **Request for Class I, III, IV, and V supplied by the 8th
Support Battalion, 196th Brigade.**

(2) Supplies were transported to the combat trains and
battalions CP at Mai Xa Chanh by US Navy landing craft, medium,
and landing craft, utility using the Cua Viet LOC. Occasionally
rotary wing cargo aircraft
were available to permit transportation by external sling loading.

(3) Emergency basic loads of Class I, V and some II and
IV items were stockpiled at the combat trains at Mai Xa Chanh.

(4) Supplies and equipment were transported to the
forward rifle elements by the battalion C & C aircraft, and the
attached Otter and AMTRAC vehicles.

(5) Supply requests were processed by the requiring unit
over the battalion logistical net through the Service Platoon
Leader at Mai Xa Chanh to the S4.

(6) On hot A ration meal was prepared daily by the
battalion field mess at Dong Ha and transported to the battalion
CP; hot A ration meals were sent to the line companies on a
rotating basis as the tactical situation permitted.

(7) Water supply for forward elements presented a problem
since usable water was not readily available to the rifle
companies. This problem was solved by transporting potable water
in plastic 5 gallon containers
using the C & C helicopter and tracked vehicles.

(8) two fire team assault boats and one skimmer boat
powered by 35 hp outboard engines were loaned to the battalion by
the 3d Marine Regiment to assist in the transportation of
supplies, equipment, and personnel along secure waterways.

The 8th Support Battalion supported **Pocahontas Forest:**

a. Operation POCAHONTAS FOREST was a standard military operation keyed to the terrain objectives and a mission of clearing a zone of motion of enemy forces and installations. The accomplishment of this mission was completely successful and the operation was conducted flawlessly. Without exception each infantry battalion, both US and ARVN, was prepared thoroughly for each task assigned, conducted operations professionally, and accomplished all missions in accordance with the time schedule desired. There were no problems of coordination, either among the infantry forces or with fire support units involved in the operation. The 3d Battalion, 82 Artillery coordinated and control seven direct support batteries and three general support, reinforcing batteries and provided constant timely supporting fires, even while forward displacements of units to newly established fire support bases was being accomplished. The complete cooperation and support furnished by the Americal Division artillery was instrumental in the success of fire support operations. The **8th Support Battalion** provided direct logistic support for nine infantry battalions and units of three artillery battalions in an outstanding manner, and the cooperation, initiative, and professional competence of the general support units of the Americal Division Support Command were commendable.

The 8th Support Battalion supported Operation **Wheeler/Wallowa:**

This was a large multi-year operation that continued on after the 8th Support Battalion disappeared from the rolls due to reorganization. This may well have been the final operation for the 8th Support Battalion as the operation continued after the reorganization of the 8th Support Battalion eliminated the 8th Support Battalion from the Army rolls.

This is from an Americal Division daily newsheet. One was printed to be shared 1 for every 8 infantry man:

AMERICAL NEWS SHEET

MG Charles M. Gettys, Commanding
MAJ Gerald D. Hill jr., IO
Telephone: Chu Lai 2414 or 3212

This News Sheet is published daily under the supervision of the IO, Americal Division APO96374 as an authorized Army publication. This News Sheet is solely for personnel in the Americal Division and may not be duplicated or released to the news media.

*

JOIN THE AMERICAL DIVISION VETERANS ASSOCIATION. CHECK WITH YOUR FIRST SERGEANT OR THE INFORMATION OFFICE.

*

Following is the itinerary 22 July through 23 July for the "String Alongs" and "The Westerner" who are appearing in the Chu Lai area:

22 July

0930 Report to SSO
1000-1300 Show and lunch MCB 71
1400-1600 Show 4/3 Inf 11 Inf Bde
1730-2030 Show and dinner HQ 23 S&T

23 July

0930 Report to SSO
1000-1300 Show and lunch Div Arty mess
1400-1600 Show 37th Signal
1730-2030 Dinner and show 8th Spt

This is an excerpt from a set of award orders:

DEPARTMENT OF THE ARMY
HEADQUARTERS AMERICAL DIVISION
APO San Francisco 96374

SPECIAL ORDERS 1
February 1968
NUMBER 32 E X T R A C T

UP AR 672-5-1 fol indiv **Co C 8th Spt Bn awd**
COMBAT MEDICAL BADGE (1st Award)

ADAMS, DELANER RAXXXXXXXXXX XXX-XX-
XXXX SP6 E6 91B40

1966

Page 1

196th Joins Div.

The 196th Light Infantry Brigade (Separate), which landed at the South China Sea port of Vung Tau Sunday, has been attached to the division, making the 25th the largest U.S. combat force in Vietnam.

The brigade, the first light infantry brigade in U.S. military history, will be located at Tay Ninh under the command of Brig. Gen. Edward H. deSaussure Jr., former assistant division commander (see following story).

Activated at Ft. Devens, Mass., on Sept. 15, 1965, the 196th Bde. underwent eight months of individual and unit training. An estimated 50 per cent of the brigade were inexperienced soldiers when they began training.

The brigade trained its men as a unit, from basic combat training to advanced individual training through large unit tactical operations training. Col. Francis S. Conaty Jr., deputy brigade commander, took the brigade through the rigorous training program.

During the latter stages of the training program, heavy emphasis was put on counter-guerrilla, counter-insurgency training. To authenticate the training, the brigade was supported by a Special Forces (A) team of Vietnam veterans, who organized and trained teams to act as the Viet Cong during brigade-size tactical training exercises.

Major units of the new brigade are the 2nd Bn., 1st Inf.; 3rd Bn., 21st Inf.; 4th Bn., 31st Inf., and the 82nd Arty. Bn.

Other units serving with the 196th include the **8th Spt. Bn.**, the 175th Engr. Co. (Combat), and F Trp., 17th Armored Cav.

From the 25th Inf. Division's newspaper, "Tropic Lightning:

Vol 1 No. 32 TROPIC LIGHTNING NEWS

October 1, 1966

196th Light Inf. Bde. (Sep.)

4th Battalion, 31st Infantry (Polar Bears).

Organized in 1916. The regiment served in the Siberian campaign during the Russian Revolution in 1917. The "Polar Bears" saw action in the Korean War. Its motto is "Pro Patria...For Country."

3rd Battalion, 21st Infantry (Gimlets).

Organized in 1862. Earned 11 battle streamers in the Civil War. Next came the Spanish-American War, the Moro Insurrection in the Philippines, World War II in the Pacific, and the Korean conflict. The motto is "Duty."

2nd Battalion, 1st Infantry (Guardians).

Organized in 1791. Participated in the War of 1812, the Mexican War, the Indian Wars, the Civil War, the Spanish-American War, the Philippines and World War II. Its motto is "Semper Primus - Always First".

82nd Artillery.

Founded during World War I, saw action in World War II and Korea.

OTHER UNITS serving with the 196th include: **The 8th Support Battalion**, the 175th Engineer Company (C), and F Troop, 17th Armored Cavalry.

Vol 1 No. 39 TROPIC LIGHTNING NEWS
November 18, 1966

ARMY COMMENDATION MEDAL

SSgt. Roland T. Levesque, **Co A, 8th Spt Bn.**

Plenty Action In Wrecker's Routine Work

Operating a five-ton wrecker may not seem to be the most thrilling job a soldier could have, but in Vietnam there is thrill and danger in almost any occupation.

A wrecker's job is one of several occupations which require readiness on a 24-hour basis. He may be called at some odd hour to rescue a truck carrying high explosives trapped in mud up to the fenders. Or he may start out to haul in a truck badly mangled by a hidden road mine, and end up being blown off the road himself.

These are just a few of the hazards the three wrecking crews of **Co. B, 8th Supt. Bn.**, 196th Lt. Inf. Bde., must face day by day. Headed by WO Henry F. Lenz of New Britain, Conn., the company's service and recovery leader, the wreckers recover everything from the common jeep to a downed helicopter. They also have an area of responsibility covering the roads between Tay Ninh and Cu Chi, and in the opposite direction clear to the Cambodian border.

On assignments that take the wreckers far out, the drivers are usually given a jeep escort from the brigade's Trp. F, 17th Cav. "There are times, though, when an escort is not possible," commented WO Lenz. "I remember one call that came at noon. At that time we had difficulty getting an escort. We had to go quite a distance, so I gathered up a few of the men, including two welders and a sewing machine operator, and with our M-16s we went along as security."

196th Light Infantry Brigade (Sep)
OPERATIONS REPORT - LESSONS LEARNED
November 1966 - 31 January 1967

e. Logistics.

(1) The First Logistical Command supports the 196th Light Infantry Brigade utilizing a fixed base camp area forward supply distribution point within the Brigade base camp. All stockage levels of Class I, II, (selected repair parts), III, IV (engineer) and V are maintained by the 266 Supply and Service Bn (DS).

(3) Class II & IV:

(a) The **8th Support Battalion** maintains a central supply point and issues TA 50-902.

(b) Items in critical demand and action taken.

1. Twenty six 10 KW generators. The generators are on valid due out, document number 6262-1026. At the end of the period it was found that 800 generators are available for shipment from CONUS and lift data will be furnished by Hq, 1st Log Command as soon as possible.

2. Lighting Set 6230-299-5642. This item was requested on USARV Form 47 but disapproved stating that the request should be submitted to PA&E for installation. A subsequent request was submitted requesting temporary loan of this item. As of the end of the report period no reply has been received on the status of this item.

3. A semi-trailer tank, potable water 5,000 gallons with prime mover, was requisitioned on DSO Doc. No. 6305-1004 and 6305-1005.

Item status at the end of the period no reply.

4. Four each trucks, tank, fuel servicing, 2 ½ ton 6x6 have been requested to augment the bulk POL transport capability of the **8th Support Battalion**. These items have been requested on DSO Doc. No. 6305-1003, IPD 05. At the end of the report period the status was no reply.

(4) Class III: Issues during the period.

<u>Commodity</u>	<u>Daily</u> (average)
Diesel	2000 (gals)
Mogas	2500 (gals)
JP-4	15000 (gals)
Avgas	740 (gals)

(5) Class V: The Brigade issue total was 7,849 tons for the period, average per day was 87.9 tons.

(Continued)

(Continued)

(6) Maintenance.

(a) The maintenance platoon of the 8th Support Battalion supported many non-brigade units. However, the 548th Lt Equipment Company will phase into operation on 1 Feb 67, taking over the support of non-Brigade units.

(b) The maintenance platoon completed its move to a permanent location during January 1967. Operation at complete capacity was realized on 21 January 1967.

(c) The following is a completion of job orders for the reporting period by type: wheeled vehicles 95, artillery 69, small arms 302, signal 652, fire control 281, engineer equipment 93, office machines 31, service and evacuation 277.

.....

i. Medical

(1) Personnel and Supporting units:

(a) There are nine out of ten authorized medical officers in the Brigade. All battalions have a surgeon who not only takes care of the sick call and other medical requirements, but also holds MEDCAP missions. An average of 2000 MEDCAP patients per month have been seen.

(b) Since the 45th Surgical Hospital became operational in Nov 66, most serious casualties have been evacuated directly to it. **Company C (Med), 8th Support Battalion** has handled the less serious casualties and illness, and any overflow of serious casualties from the 45th Surgical Hospital that need resuscitation and then evacuation to other hospitals. This arrangement has been afforded a very high grade of medical care for the Brigade.

(2) Preventative Medicine and Health of the Command:

(a) Personal hygiene is excellent. Adequate clothing, showering, and laundry facilities are available.

(b) Physical condition and nutrition of the troops is excellent.

(c) Skin and foot diseases have been encountered, but major problems have been circumvented by insuring adequate supplies of dry socks, underwear, and use of foot powder.

(d) The fighting strength has not been appreciably affected by diseases. The average daily non-effectiveness rate has been 2.5/1000 average strength/day. Venereal diseases, mostly gonorrhoea, has been the single greatest cause of morbidity, with the rate of about 300/thousand/year.

(Continued)

(Continued)

(3) Environmental Sanitation.

(a) The quality of potable water supplied by the engineers' water points has been excellent.

(b) Insects and rodents are being controlled by use of the standard measures; residual insecticide is sprayed regularly in mess, latrine and billet areas, and bait traps for use of rodenticides are being installed.

(c) Permanent mess facilities are being constructed at present. Prior to this, unit tent-type messes have been utilized.

(4) Other Medical Services.

(a) The Dental Conic in the medical company staffed with three dentists has maintained an excellent level of dental hygiene within the troops.

(b) Veterinary support for vaccination of animals, etc., has been provided by the 25th Infantry Division.

An item published in the ADVA quarterly "Journal".

Dear editor,

I just received my copy of the revised Americal Division History. I was surprised to read the paragraph in the 23rd Admin" section concerning the establishment of administration support for the Division Headquarters, that Company A, 6th Support Battalion of the 11th Infantry Brigade had been in country supporting Task Force Oregon and was the predecessor of the new 23rd Administration Company, when it was activated on December 8, 1967.

I arrived in Chu Lai with the 198th Infantry Brigade Advance Party on October 9, 1967. I was the brigade AG assigned to Company A, 9th Support Battalion. We soon learned that the Americal Division intended to reassign and merge the admin support units of the three separate brigades (11th, 196th and 198th) to the Division headquarters to form a new administration company in support of the Division headquarters.

The Americal Division Information Office Release No. 1-68-89, "1967 Americal Division Progress," contains the following information:

"To provide for the orderly transition of records and personnel, four base elements were organized under a provisional concept, including the 23rd Administration Company, Headquarters and Headquarters and Band Support Command; Headquarters and Headquarters Battery, 23rd Division Artillery; and the 23rd Military Police Company."

The release went on to say that on December 8, the 23rd Administration Company was among the units activated and concurrently inactivated were Company A, 8th Support Battalion (196th Brigade) and Company A, 9th Support Battalion (198th Brigade). Company A, 6th Support Battalion, 11th Infantry Brigade is not mentioned in this release.

The 258th Personnel Services Company (PSC) was deployed to Chu Lai from Fort Hood in June 1967 to provide support to Task Force Oregon. It remained in place to support the Americal Division. Upon the reorganization of the 196th and 198th Brigade personnel merged with those of the 258th PSC. I was assigned as the Chief of a new Personnel Services Division (PSD) and Captain Ned Shivar who was commander of the 258th PSC, became the deputy chief. Upon the merger the PSD had 11 officers and 200 enlisted men.

In a letter dated January 11, 1968 I wrote "We have another Brigade now - the 11th from Hawaii, and their AG

section was integrated into the Americal Division headquarters. So now I have 11 officers and 220 men in my PSD, quite a huge operation."

The 23rd Administration Company was formed with the joint assets of the three former separate brigades.

That letter is in my book "We Wrote Letters Then" - letters sent and received from 1967 - 1968. 2015 Lulu Publishing

Bill Walker. Wwalker7395@yahoo.com

"A Doctor's Vietnam Diary was written by Dr. John F. Stahler who served as doctor with the medical company of the 8th Support Battalion. He published his diary for his service in 1966-1967 near Dau Tieng/Cu Chi. His comments are interesting commentary on what was going on in the early days of the 196th LIB service in Vietnam. One story related how an aiming stake used by an artillery battery was moved because it was obscured by a newly built bunker. The result was that Vietnamese civilians were hurt. The artillery fire was off target as a result of moving the stake.



This is a list of the men who died in service with the 8th Support Battalion in Vietnam. The location of the incident has not been recorded for any of these men. There are only two men listed with information provided regarding their incident. Another item that comes up is that two of the men died in the test flight of an OH-23G (Raven). The military occupational specialty of Thomas Shea indicated he was working as an aircraft mechanic. So this may mean that the 8th Support Battalion was providing maintenance support for helicopters of the 196th Aviation Section?

Iname	fname	mname	rank	mos	age	incident	casdate	vehicle	event	co
BRANES	EDUARDO	PAUL	SP4	76G20	23	04/20/1967	20-Apr-67			B CO
HOLTZ	LARRY	WILLIAM	SP5	71H20	20	11/12/1966	12-Nov-66			A CO
SHEA	THOMAS	COLLINS	SSG	67R40	32	01/12/1967	12-Jan-67	OH-23G 62-0380 0	MAINTENANCE FAILURE DURING POST- MAINT TEST FLIGHT 19670112	B CO
SMITH	ROBERT	WILLIAM	PFC	11B10	19	11/12/1966	12-Nov-66			A CO
VAN REGENMORTE R	RONALD	RAY	CPT	64823	30	01/12/1967	12-Jan-67	OH-23G 62-0380 0	MAINTENANCE FAILURE DURING POST- MAINT TEST FLIGHT 19670112	B CO

Comment: All 50 months of the Americal Division S2/S3 reports are available on the AmericalFoundation.ORG website. If one wished to they might be able to search the text on the files that hold reporting prior to February 15, 1969. Also 196th LIB S2/S3 reports exist for the 196th LIB for periods of August, September and August 1966. However, these are not searchable and are difficult to read.

One might consider ordering 8th Support Battalion S2/S3 reports from the National Archives in Suitland, MD. In this process you make a request for copies of reports on file. The Archives then provides you with a list of materials that they have located and a price. You then may select the items that you would pay for and order them. It may take 60-90 days or more to obtain the materials. I may consider placing an order for reports for the three dates men died from the unit in order to update the information regarding the location of the incident and etc.

The Coffelt Data Base site can be used to look up details about U.S. veterans who died in service in Vietnam or who became a POW.

The "Faces on the Wall" web-site allows you to look up information about the men who died in service with the 8th Support Battalion. At this site you can read comments made by family and friends as well as view photos of these men.

One thing that caught my eye was that the 8th Support Battalion had a battalion newsletter. If the name of the newsletter were known it might be possible to locate examples of the newsletters from the American Education Center (AHEC) at Carlisle Barracks, PA. (Their holdings may be available online within the next 2-3 years. So anyone who might have an example of one of their newsletters or even know the name of the newsletter it could be of great help in locating copies of the newsletter.)