

From the "Stanton Order of Battle" reference book.
Composite Service Section:



9th Support Battalion (Infantry Brigade)

Arrived Vietnam: 8 October 1967

Departed Vietnam: 15 February 1969

Previous Station: Fort Hood

Authorized Strength: 348 (1968)

The 9th Support Battalion served with the 198th Infantry Brigade (Light) in Vietnam.

The 9th Support Battalion was responsible for providing brigade level supply, direct support and general support maintenance, medical service and miscellaneous services for all assigned or attached elements of the 198th Light Infantry Brigade. The battalion was organized with four lettered companies: A. administration; B, maintenance; C. supply and service; and D, medical, as well as a headquarters element. The battalion provided support for the 198th LIB in Vietnam.

(Note: The organization of the companies may not be correct in the Stanton Order of Battle reference book. Initially There was the HHC, A Company (Administration), B Company (Supply and Maintenance and C Company was the medical services company. However, there may have been a reorganization that changed this).

A U.S. manual describing the modern day Brigade Support Battalion concepts was found at this web-site.

https://armypubs.army.mil/epubs/DR_pubs/DR_a/ARN34182-ATP_4-90-001-WEB-2.pdf

Brigade Support Battalion and the Operational Environment

This includes ensuring all commodities are replenished in preparation for upcoming operations, all sustainment units are positioned properly, units are reorganized for effectiveness, casualties are treated and evacuated, replacement personnel are integrated into units, and maintenance is conducted.

BSB ORGANIZATION IN BRIGADE COMBAT TEAMS

1-30. The BSB is organic to and provides sustainment support to a BCT. BSBs in IBCT, SBCT, and ABCT differ in terms of specific equipment and manning, reflecting the characteristics of the BCTs they support. Figure 1-1 depicts a typical BSB organization.

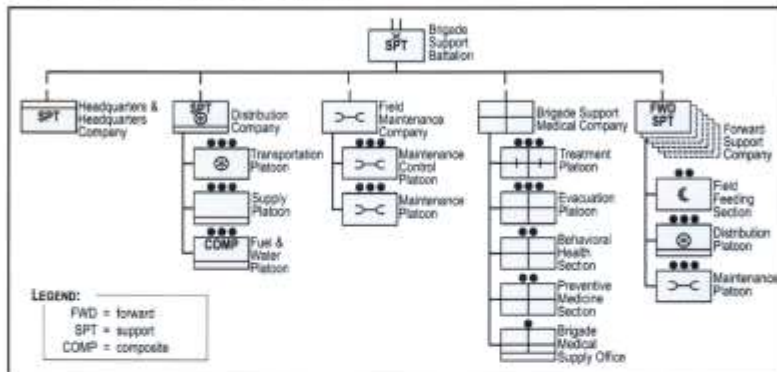


Figure 1-1. Brigade support battalion task organization

1-31. BSBs have the capability to operate a supply support activity (SSA), operate a modular ammunition transfer point (MATP), perform field-level maintenance support and distribution operations, as well as providing medical support. BSBs that contain a medical company provide Role 2 medical care to all units in the brigade. FSCs provide distribution, field feeding, and field-level maintenance support to their supported battalions. Other capabilities that BSBs provide include:

- Field-level maintenance support to the BSB and the brigade headquarters.
- Field feeding support to the BSB headquarters company, distribution company, field maintenance company, and medical company.

1-32. The DSB assigned to a division can provide logistics capability not organic to the BSB or provide additional capacity to support the BSB. The DSB has an organic DSSB comprised of organic companies: a headquarters company, a composite supply company, a composite truck company, and a support maintenance company. The DSSB provides water treatment and storage, non-mobile petroleum storage, and troop transportation support to the BCT.

HEADQUARTERS AND HEADQUARTERS COMPANY

1-33. The BSB headquarters and headquarters company (HHC) consists of the command group, coordinating staff, and headquarters company. The BSB provides C2, administrative, and logistics support for all organic, assigned, and attached units. The staff executes planning and synchronization for all assigned and attached units in the BSB. The BSB can also provide C2 for all units that occupy the BSB base for security. It also provides support for non-BSB elements in the BSA.

This compilation was made for veterans of the 9th Support Battalion who supported the 198th LIB and the Americal Division Operations.

The compilation was done using a computer search that went through thousands of files to identify articles or sections of reporting that related to the 9th Support Battalion. Not everything was placed in this document, but it will allow someone to understand something of what the men of this unit was experiencing in their service without requiring days and weeks of searching through thousands of documents.

This article was published in the "Army Reporter" Newspaper:

04Nov67-198th Light Infantry Brigade Joins Americal Division In I Corps Area

LONG BINH, (USARV-IO) - Americal Division received its newest unit recently - the 198th Light Infantry Brigade, commanded by Col. James R. Waldie.

About 3600 infantrymen came ashore in the southern I Corps area at Chu Lai, completing an 11,000-mile trip which began at Ft. Hood, Texas, in early October.

Known by their motto "Brave and Bold," the 198th was originally organized in 1921 as an element of the 99th Infantry Division. During World War II the unit was in combat in central Europe.

The brigade was re-activated at Ft. Hood on May 10, 1967. Waldie brought an advance party of about 300 men into the division's area early last month to finalize plans for the arrival of the main body.

With an authorized strength of approximately 4100 officers and men, the brigade will begin combat-orientation in Americal's combat area, officials said.

The brigade is organized on a three infantry battalion system - the **1st Battalion, 6th Infantry; 1st Battalion, 46th Infantry; and 1st Battalion, 52nd Infantry.**

The 1st Battalion, 14th Artillery, using 105mm howitzers, supports the infantry units. The **9th Support Battalion** provides logistical supply and administrative support.

Operation Muscatine listed the **9th Support Battalion** in the supporting forces below:

7. (C) Supporting Forces:

a. The **9th Support Bn** supplied logistical support and supervised battalion trains from the CLDC. Both the A, B, and C Battery 1st Bn, 14th Arty and C Battery, 2-9th Arty supplied direct fire support and valuable H & I fire on suspected enemy locations. B Battery, 5-16th Arty and the 5th Provisional Gun Battery (USMC) stood by in reserve support. The 7th USAF and 7th Marine Air Wing were prepared to provide air support.

(ADVA Historian Note: **Operation Burlington Trail** did not mention the 9th Support Battalion, but it would have been a unit providing critical support for this operation).

Tet of 1968 was a hard test for the 198th LIB. The 9th Support Battalion was listed in 198th Bde organization in the combat after action report for TET 1968.

NND873514 CONFIDENTIAL

DEPARTMENT OF THE ARMY
Headquarters, 198th Infantry Brigade, Americal Division
APO San Francisco 96219

AVDF_BCC

10

April 1968

SUBJECT: Combat Action Report

Commanding General

Americal Infantry Division

ATTN: AVDF-GC

APO 96374

1. Name of Operation: Combat Operations During the TET Offensive
2. Dates of Operation: 29001 January 1968 through 142400 February 1968.
3. Location: QUANG TIN, QUANG NGAI Provinces.
4. Command Headquarters: 198th Infantry Brigade (LT).
5. Reporting Officer: Colonel James R. Waldie, Commanding Officer, 198th Infantry Brigade (LT).
6. Organization: HHC, 198th Infantry Brigade (LT)
9th Support Battalion
1st Battalion, 46th Infantry
1st Battalion, 52d Infantry
1st Battalion, 6th Infantry
- OPCON 1st MAR Div & TF
MIRACLE 071515 Feb to 120800 Feb 68.
H Troop, 17th Cavalry

In the 1/20th Inf. Bn. materials I found an example of an 11th Bde soldier being treated in the 9th Support Hospital at Chu Lai.

September 18,1968

0420hrs Listening Post received 2 burst of Automatic weapons fire resulting in WHA 2 and Listen Post pulled back into D co perimeter, At first light A, B, and Delta co conducted a recon in force South West into the built up area in the valley vic BS3467. 0730hrs Vicinity BS348708 D co engaged two evading NVA at 100 meters resulting in 2 NVA and 1 AK-47 CIA. At 1421 Vicinity BS351701, D co received mortar and Automatic weapons fire resulting in 2 US WHA. Fire was returned but enemy broke contact. At 1445 hrs vic BS350695, the point man of A co was wounded and contact was made with an unknown size enemy force In the meantime, D co continued to sweep toward the valley to support A co. At 1605 hrs vic BS3500695, D co received heavy Small Arms and Automatic weapons from an unknown size enemy force well dug in along the base of the hills on the eastern side of the valley. Fire was returned and maximum use made of supporting fires. The enemy broke contact during darkness and D co held in position for further exploitation at daylight. US losses were 10 KHA and 19 WHA and Darkness prevented enemy assessment. KHA SP4 GARY LEE BROWNING Medic- CPL. GILFORD FRANK DASHNER- SSGT JOHN FRANCIS DOWNEY JR.- SSGT CHARLES LLOYD FREEMAN- CPL. JAMES OMER FRYMAN- 1LT ROBERT LAWRENCE JANOWITZ- 1LT ALFRED M. SCHROEDER JR.- SGT. JB SPEARMON- SSGT. DONALD EUGENE TURNER- PFC. JAMES P. CONCANNON died on 9-21-68 from wounds. WHA at 23RD Medical Battalion-Chi Lai Timmerman. Ganthier, Kiser, Covin, Arias, Dowael, Cook, Holmes. 2nd Surgical -Chi Lai Hanson FO, Morse, Dale Miller, Olvices, Perry, Rose (C/6-11), Mack, Wells, Concannon. 27th Surgical- Chu Lai Harvey, Bliss, Pace. **9th Support Hospital**-Chu Lai Short, Jackson, Jones, Wilson.

Years ago we received a list of 198th Brigade soldiers lost during service in Vietnam. This was from the late Richard Coffelt, whom the Coffelt Casualty Data Base is named for.

9th Support Battalion

Headquarters & Headquarters Detachment 9th Support Bn

Sp4 Feltz, Keith A Nov 19 67
Company B 9th Support Battalion

Sp4 Roberts, Jerry M

Dec
11
67
K

31 E
83

Sp4 Engebretson, Gary L Mar 06 68
Sp4 Kozach, John A

These are excerpts from a 198th Bde Operational report that refer to the 9th Support Battalion:

NND873514 Date 9/25/95

MAJ SANDERS

CONFIDENTIAL

DEPARTMENT OF THE ARMY

Headquarters, 198th Infantry Brigade, Americal Division

APO San Francisco 96219

AVDF-BCC

1 February 1968

SUBJECT: Operational Report for Period 24 October thru 16 November 1967

(RCS CSFOR-65) (U).

The 1st Battalion, 52nd Infantry released one company daily, 2-4 November, to attend orientation conducted by 3rd Brigade, 4th Infantry Division. The battalion established a fire base at LZ OD and initiated combat operations in AO CONDOR.

H Troop, 17th Cavalry was employed in (General Support) initially: one platoon provided convoy security to LZ Carentan and conducted limited offensive operations. The 555th Engineer Company while at LZ Carentan, continued base development and secured positions of the Brigade base.

The 9th Support Battalion provided logistical support for Carentan operations and established a residual logistical base at Chu Lai.

.....

(d) Organization. The Brigade Organization is as shown in inclosure 1. No additional units were assigned or attached to the Brigade during the reporting period. The organization of the **9th Support Battalion** changed when **A Company 9th Support Bn** was reassigned to the Americal Div.

.....

d A decrease in the number of personnel occurred with the reassignment of the 116 man **"A" Company, 9th Support** to the Americal Headquarters and Headquarters Company. the majority of the remaining personnel losses were due to reassignment and medical evacuation of casualties.

.....

(K) **Logistics**

1 General. The Brigade's forward logistical support element (FSE) was operated by the **9th Spt Bn** and included elements of HHC, B and C Companies. Highest strength figure reached was 11 Officers, 3 Warrant Officers and 126 Enlisted Men.

.....

f Transportation:

(1) Vehicular: Limited Brigade assets proved inadequate to meet requirements. Vehicles had to be borrowed to support daily requirements. Shortage of vehicles was due to the delay of the arrival of Columbia Banker with organic equipment of **HHC and the 9th Support Bn.**

.....(The full 26 page document is available from the ADVA Historian.)

The Americal Division Quarterly Operation Report and Lessons Learned for the quarter ending October 1967 included the 9th Support Battalion as part of the 198th LIB.

8. (C) 198th LT INF BDE

HHC, 198th Lt Inf Bde

1st Bn, 6th Inf

1st Bn, 46th Inf

1st Bn, 52d Inf

1st Bn, 14th Arty

55th Engr Co

9th Spt Bn

265th MP Plt

49th Sig Plt

47th Mil Hist Det

635th MI Det

610th RRU

H Trp, 17th Cav

The Americal Division Quarterly report ending in April 1968 documented reorganization General Orders:

AVDF-CG 7 May 1968
SUBJECT: Operational Report for Quarterly Period Ending 30 April 1968. (RCS-CSFOR-65) (RI) (U).

(11) USARPAC General Order 110, 8 Feb 68, reorganized the following units as indicated, effective 20 Feb 68:
HHC, 198th Inf Bde by MTOE 77-10-2T, CONARC 1/68
Troop H, 17th Cav by MTOE 17-57E, CONARC 1/68
HHD, **9th Spt Bn** by MTOE 29-246T, CONARC 1/68
Co B, **9th Spt Bn** by MTOE 29-247T, CONARC 1/68
Co C, **9th Spt Bn** by MTOE 8-197T, CONARC 1/68

Another Americal Division Quarterly report ending October 1968 indicated an MTOE change affecting the Americal Division's 3 brigade support battalions.

AVDF-GC 7 November
1968
SUBJECT: Operational Report for Quarterly Period Ending 31 October 1968.
(RCS-CSFOR-65) (RI) (U)

.....
(5) USARPAC General Order 488, 5 September 68, reorganized the 258th Personnel Service Company under MTOE 29-247TPol P00168 effective 20 September 1968:
(a) Company B, 6th Support Battalion.
(b) Company B, 8th Support Battalion.
(c) Company B, 9th Support Battalion.

AVDF-GC

7

August 1968

SUBJECT: Operational Report for Quarterly Period Ending 31 July 1968

(RCS-CSFOR-65) (RI) (U)

c. Operations:

(3) Defoliation operations are continuing with the Division Chemical Section working in support of the **9th Support portion of the CLDC perimeter.** This operation was started 30 July and is in progress at the present time.

.....

6. Signal.

g. (U) The division Signal Officer, acting as the Southern ICTZ Communications Coordinator, held monthly meetings to continue coordination between units responsible for installation of the Chu Lai Base Cable Plant. D/40th Sig agreed to install an additional 14,000 feet of multipair cable to the planned cable system in order to provide adequate distribution of cable to MCB 71, 23d S&T Bn, 27th Surg Hosp, 14th Avn Bn and **9th Spt Bn.** 1st Sig Bde advised that cable plans would be completed by 31 Aug 68. Approximately 1200 additional telephones are scheduled for installation.

AVDF_HL

10 May 1969

SUBJECT: Operation Report for Quarterly Period Ending 30 April 1969

.....

b. Upon receipt of USARPAC GO 113, 10 February 1969, the following units were inactivated and assets transferred as indicated:

(1) 6th, 8th, and 9th Support Battalions of the Separate Infantry Brigades.

(a) Medical Companies of the Support Battalions were transferred to the 23d Medical Battalion.

(b) Supply Platoons of the Maintenance and Supply Companies were transferred to the 23d S&T Battalion.

(c) Maintenance and Parts Platoons and Company Headquarters of Maintenance and Supply Companies were transferred to the 723rd Maintenance Battalion to form three Forward Support Companies.

(2) The 11th, 49th, and 156th Signal Center Platoons were transferred to the 523d Signal Battalion and became the Forward Area Signal Center Platoons of that unit.

(3) The 406th TC Detachment and the 449th Signal Detachment became elements of the Transportation Maintenance Co of the 723d Maintenance Battalion.

(4) The 258th Personnel Services Company assets were transferred to the 23d Administration Company.

c. Infantry Battalions and Direct Support Artillery Battalions were reassigned from Separate Brigades to the Americal Division as required by the ROAD concept.

d. The following units were activated:

(1) Three Medical Companies in the 23d Medical Battalion.

.....

AVDF-CG
1968

8 February

SUBJECT: Operational Report for Quarterly Period Ending 31
January 1968

(RCS-CSFOR-65) (U)

(7) The following divisional base units were activated
by USARPAC General Order 300, 2 Dec 67, effective 8 Dec 67.

- (a) HHB, 23d Inf Div Arty
- (b) HHC and Band, 23d Inf Div Spt Comd
- (c) 23d Admin Co
- (d) 26th Engr Bn
- (e) HQ and Co A, 23d Med Bn
- (f) 23d MP Co
- (g) 123d Avn Bn
- (h) HQ and Main Spt Co, 723d Maint Bn
- (i) 23d Sup and Trans Bn

(8) The same USARPAC General Order inactivated the
following units, effective 15 Jan 68.

- (a) 221st Sup and Svc Co
- (b) 163d Trans Co
- (c) HQ and Main Spt Co, 188th Maint Bn
- (d) 554th Engr Co
- (e) 161st Avn Co
- (f) Co A, 8th Spt Bn
- (g) **Co A, 9th Spt Bn**
- (h) 265th MP Platoon
- (i) 544th MP Platoon
- (j) 175th Engr Co
- (k) 55th Engr Co

Extensive Program To Reduce Damages

CHU LAI--The 198th Inf. Bde. has begun a comprehensive quarterly re-training program designed to reduce equipment damage caused by improper servicing and operation.

Classes are being given in maintenance of generators, refrigerators, wheeled and tracked vehicles and all types of communications equipment. Special emphasis is being placed on inspection and maintenance techniques during the classes.

Experience Factor

The big problem we are trying to avoid," said CPT Kenneth Kraus, the assistant S-4, "is getting replacement personnel, who are trained to do a particular job, but who have little experience in actually doing it.

"Combine that with the particular set of terrain features and climatic factors and maintenance becomes a big consideration.

"We initiated this program to give the lower echelon personnel addition training and experience in maintaining the equipment they must operate every day of the year."

Classes On Care

The responsibility for preparing the lesson plans and administering most of the classes has been delegated to the individual battalion concerned.

Co. B, 9th Spt. Bn. conducts classes for the entire brigade on equipment with special maintenance requirements, such as refrigerators.

A specific number of hours of instruction each quarter is required for operators of designated equipment. In addition to this, daily "motor stables" have been set up, during which operators of trucks and jeeps check the vehicle for deficiencies which could lead to loss of operational status.

Preventative Maintenance

A program of driver training also is conducted. Drivers are being tested and re-tested before licensing, and remedial training is being given where necessary.

"We are trying to instill in our men a consciousness of the necessity for preventive maintenance," CPT Kraus said.

He concluded, "We try to teach them what problems they will have with a particular piece of equipment so that we may eliminate these problems. We want to make preventive maintenance second nature to these people."

Viet Cong Repulsed At Fat City

By 'Brave And Bold' Artillerymen

By PFC DEAN NORLAND

Staff Writer

CHU LAI--It was very early on a Sunday morning atop Hill 35--commonly known as "Fat City"--and the men of **D Btry., 1st Bn., 14th Arty.**, were firing to the north in support of a division infantry unit.

Suddenly, the tables were turned; the artillerymen began receiving fire from the south. Mortars, CS gas rounds, and rockets showered in. The fight, which had been initially waged at a distance, turned into a face-to-face confrontation.

"A VC sapper squad of eight to ten men had cut through three rows of triple-deck concertina wire," explained CPT Elvus Farrow, the battery commander.

The artillerymen were forced out of two of the battery's four gun pits. CPL Phillip Connell had his own battle going near one of the guns.

Private Fight

"When the mortars started coming in I was in my hootch." The gunner continued. "I grabbed my helmet and M-16, dove outside, and got behind a baffle wall."

Connell got up to check out the situation. He saw the darkened figure of a man dropping grenades down the barrel of one of the howitzers. The VC saw the corporal.

"He bowled a grenade at me," the artilleryman exclaimed.

Connell hit the dirt and managed to roll rive or six feet before it exploded. The corporal received shrapnel in his left leg but was able to return fire with his M-16. Missed!

Another Grenade

Again the VC pitched a grenade at Connell; it hit the corporal's side. This time he rolled in the opposite direction before it detonated.

"I guess he thought he had me," the artilleryman related. As the sapper walked up for a close look at his intended victim, Connell put the rifle on automatic and killed his assailant.

The corporal, with shrapnel in both legs by this time, got up and started treating some of his wounded buddies.

Meanwhile, other D Btry. personnel had pushed the remaining VC outside the wire, and Cobra gunships dispatched form F Trp., 8th Cav. made their presence known.

(CONTINUED)

(CONTINUED)

25Oct68-Southern Cross Vol. 1 No. 10 Page 8

Helpful Cobras

CPT Farrow praised the support his unit received from the helicopter gunships. "The Cobras were outstanding, and it took them only a short time to arrive."

A body count revealed one dead VC inside the perimeter and two more outside the fence. Blood trails were found leading away from the area.

About an hour later, after the ground attack had been thwarted, the artillerymen returned to their 105's and continued their original fire mission to the north.

CPL Connell summed up his experience when he said, "I'm not all that brave. But there's no way I'm going to sit still and let 'Charlie' get me."

He was evacuated to the **9th Spt. Hosp.** here and was treated for the leg wounds.

MP Saves Woman

By Thinking Fast

DUC PHO--Quick thinking and good judgment by an 11th Inf. Bde. military policeman may have saved the life of a Vietnamese woman who was seriously injured recently by a falling brick.

SGT James J. Ellis was on a mission near Sa Huynh when he was stopped by a frantic woman.

"By the way she acted, I understood that someone in the village had been injured, so I followed here," he said.

The woman directed Ellis to a hut where about 50 people had gathered.

As Ellis pushed open the shutters for light, he saw that the woman was covered with blood.

"She had a sandbag tied around her head and a blood-soaked rag under it. When I removed the dressing, I saw there was a deep gash in her head and a vein was broken.

"All I could do was apply direct pressure and rush her to a medical point. I had some men help carry her to a jeep," he said.

The injured woman was rushed to the 264th Trans. Det. aid station at Sa Huynh where SSG Jerry W. Hoggs, a medic, administered further emergency treatment. In a few minutes she was on the way to the **9th Spt. Bn.** clearing station at LZ Bronco.

Hoggs, praising Ellis' actions, said: "Had it not been for the quick judgment of SGT Ellis, the woman could have bled to death."

**Dentist Treats And Teaches
Local Vietnamese Orphans**

**By CPT DENNIS M. EILERS
198TH Inf. Bde.**

LZ BAYONET- A soft, gentle breeze filters through the thatched hut.

Inside, a dark-haired man in jungle fatigues props open a patient's mouth and professionally pokes along the row of stained brown teeth.

He attempts to relax the Vietnamese child in the makeshift iron dental chair while outside a summer sun dances rainbows of blue and silver above the slow moving river at the bottom of the hill.

CPT Bob Adler glances out at the river then turns and talks to his young patient in Vietnamese, telling him "No pain, no pain."

The child is not convinced. His brown eyes roll up toward the dentist like huge polished marbles. He winces. His eyes get glassy, but he bravely keeps his mouth open.

Across the small hut, four other Vietnamese orphans sit and watch anxiously, their hands cupped over their mouths in fear, anticipation and apprehension.

The dentist is from Brooklyn, N.Y. The children are from the An Tan Protestant Orphanage. Every Tuesday and Friday they meet for a dental checkup in the 198th Inf. Bde.'s **9th Spt. Bn. hospital area.**

"We clean their teeth and keep dental cards on each child in the orphanage," Adler said.

"The records are maintained by the orphanage. We bring in four or five kids at a time for a checkup.

"Look at this," he continued as he propped open the mouth of the young orphan.

"This is a common problem - stained teeth, food particles between the teeth and scaling."

Adler went to work. His assistant, SP4 Earl Francis, of Bass Lake, Calif., lined up the instruments in the cool, clean hut, and with professional skill Adler began cleaning the teeth of the young orphan.

(continued)

Soon he was done, and the 10-year-old waited to leap from the chair. Francis brought him a pack of Kool Aid. The boy clutched it and hesitantly moved away from the chair.

Another child came in and Adler went back to work.

"We're promoting oral health in the orphanage, and it's working," he said.

"The orphanage is a controlled group, and this gives us the chance to set up dental records for each child.

"After each treatment we give the patient a set of instructions in Vietnamese. When a patient goes back to the orphanage he tells the others about what happened, and the next time we go out all the kids line up and point to their mouths."

Adler also treats other Vietnamese, throughout the Americal Div. area. On medical assistance visits he passes out tooth brushes and holds a brushing demonstration.

"We often work out dental programs through the rural schoolteachers. This gives them status and improves the Vietnamese oral hygiene at the early ages," he said.

The cool breeze stirs, again and Adler helps the last orphan from the dental chair. He talks to him in Vietnamese and then takes the five back to the orphanage.

As the ambulance jeep jogs along the dirt road the five are smiling and their white teeth set off their brown faces.

The dentist smiles, too, and begins discussing plans for training Vietnamese dental assistants with his driver.

9th Support Area Is Busy

With Construction Projects

LZ MUD--The sound of saws and hammers never stops these days around the home of the **9th Spt. Bn.** here.

The men of Co. C (Medical) are busy constructing a new 36-bed ward, a mess hall for patients and company staff, an olympic-sized swimming pool (only pool in the Americal), and 900 feet of concrete sidewalks.

The most ambitious item of the building schedule, the new ward will be air-conditioned and humidity-controlled.

According to CPT Watson Samples, Co. C's XO, the ward's controlled atmosphere will result in a 30 to 40 percent drop in the average patient's recovery time. "Skin diseases especially will be much easier to treat. They are particularly sensitive to temperature and humidity," he said.

An H-shape design is being used for the new ward where 198th Inf. Bde. soldiers will be treated. The two wings will each hold 18 beds, and the connecting hallway will house the nursing facility. Four nurses will be on duty during the day and three at night.

Plans also are being made for a day-room and canteen facility for the patients. CPT Samples' goal is to keep his patients as happy and comfortable as possible.

The ward project is a joint effort of **B Co., 26th Engr. Bn.**, civilian advisers of the **335th Maint. Bn.**, and C Co. personnel.

This is the 1st issue of the Americal Division's "Southern Cross" Newspaper published in May 1968

Photo Caption -WARY PATIENT

This young Vietnamese patient regards his 11th Inf. Bde. doctor a little warily during a check-up held by the brigade recently. (US Army Photo)

Hospital Treats Numerous Civilian Patients Monthly

CHU LAI - Medical treatment for civilians ranging in scope from patching up minor cuts to emergency amputations is being provided by a medical company in the 198th Inf. Bde.

"W asked to assume the added mission of treating Vietnamese civilians," said Capt. Joel M. Linford, commander of Co. C of the brigade's **9th Spt. Bn.**, the company which has thrown the doors of its hospital open to any Vietnamese needing help.

"It was the absence of existing facilities that we found when we arrived that prompted us to request the job," added Capt. Walter M. Kemplerer, company executive officer.

Since the hospital initiated its civilian treatment program last November, its staff has treated more than 1,300 patients.

The hospital also handles American war casualties who are not seriously wounded.

To support its activities, the hospital staff takes and develops from 84 X-rays a week, makes more than 400 blood tests each month, provides ambulance service, supplies battalion aid stations and carries its programs directly out to the villagers.

An article published in the "Army Reporter" newspaper.
24May68-**An Inside Story Of X-rays**

By SP4 ERIC DAUGHERTY

CHU LAI, Vietnam (AMERICAL PIO) - An old woman, looking small and frightened among the large X-ray equipment, crouched in the usual Vietnamese way. When a tall Army specialist stepped from a darkened room the woman began to rise then sat back down, as if her security depended on a familiar crouch near the floor.

SP5 Tom Dawson (Fresno, California) studied the X-rays, then helped the old woman up, murmured a few words to her in Vietnamese and pointed. She moved her head in quick assent and pattered out the back door to the Vietnamese ward tent.

Officially the woman hadn't been there. Unofficially Dawson, and his fellow soldiers of the 198th Infantry Brigade's **9th Support Battalion Holding Co.** treat nearly 300 Vietnamese a month.

Because of the pressing need to treat Americal soldiers, the nearby **2nd Surgical** aids only Vietnamese with emergency cases or critical illnesses. To help the Holding Co. personnel started admitting Vietnamese in addition to their normal duties of giving temporary treatment to American soldiers.

"Out of the 200 to 300 X-rays per month, about 40 per cent are for Vietnamese," Dawson said. "Most of the ones who come in have tuberculosis."

Despite the number of people helped, ask one of the Americal Division medical officials if the company has Vietnamese patients and you'll probably get an "official" shrug. Then ask one of the Vietnamese who has been there and you'll probably get an "unofficial" smile.

Donated & Retyped by Robert Behnke B/1/20

DEPARTMENT OF THE ARMY
HEADQUARTERS AMERICAL DIVISION
APO San Francisco 96374

rjm
SPECIAL ORDERS
31 March 1968

NUMBER 91 E X T R A C T

21. TC 311. UP para 7-20 AR 600-200 & DA Msg
774677 dtd 21 Jul 66 fol indiv
APT to PERM GR indic.

22. TC 327. Fol MOS action dir.

BRODIE, MICHAEL W USXXXXXXXX (SSAN XXX-XX-XXXX) SP4 E4
Co C 9th Spt Bn

Awd: P91B20
Wd: P91A10
Auth: Para 2-20b(6) AR 600-200
Eff date: 15 Dec 67

This article is from the 1/82d Artillery Bn. newsletter:

PAN-TELL

Volume 2 Number 16

Chu Lai Vietnam
1969

April 28,

CONSTRUCTION BEGINS ON POOL

The dream of having a full-sized swimming pool in the 1st Bn., 82d Artillery headquarters area apparently will become a reality within the next month or two.

That was the projection of 1LT Cameron F. Baird, Headquarters Battery commanding officer last week when the prefabricated pool was brought to the battery area.

The pool, only the second of its type in the Americal Division area, is scheduled to be erected adjacent to the battalion's Enlisted Men's Club. Excavation work is scheduled to begin this week.

When completed, the 40x60-foot pool will taper from four to eight feet deep and have a 100,000-gallon capacity.

The heavy-gauge plastic pool comes complete with a filtering system that requires approximately 5,000 gallons of water per day.

Lt. Baird noted that construct-

(CONTINUED ON PAGE 2) *[Historian comment: A home movie video entitled "OP Legionnaire" for sale by Steven White of his 82d Artillery Bn. service has footage of a swimming pool. This might be the pool described here].*

CONSTRUCTION BEGINS ON POOL (CONTINUED from PAGE 1)

ion of the pool should take about a month but he anticipates some delays that could push the opening back into June.

"We really haven't had a chance to inventory the parts to find out if everything is here," he noted. "As soon as this is out of the way, we'll start digging."

The pool is the second of its type in the Americal Division. The other belongs to the **9th Support Bn.** That facility has been in operation for several months.

"We are planning to discuss the pool installation with them," noted Lt. Baird. "By doing that perhaps we can avoid some of the problems they discovered after they started putting it in."

He also warned that the problem of obtaining an adequate water supply for the pool will also have to be remedied.

At present, the battery has two small wells available but neither has the capacity to supply the pool with 5,000 gallons of water a day.

In addition to the pool itself, the new recreation complex will also include a combination sun deck and patio which will separate the pool from the EM Club area. The pool comes equipped with a protective cover to keep the water as clean as possible.

(Note the 9th Support Battalion no longer existed after 15FEB69 reorganization.)

PAN-TELL

Volume 2 Number 18

Chu Lai Vietnam

May 12, 1969

WORK BEGINS ON POOL PROJECT

Full-scale operations on the 1st Bn., 82d Artillery's new swimming pool began last week.

The pool, only the second of its kind in the Americal Division area, is being constructed directly in front of the Headquarters Battery mess hall and about 30 feet from the entrance to the Battalion Enlisted Men's Club.

Most of last week's work was concentrated on preparing a sub-surface base for the eight-foot deep pool and drilling a well to meet the water needs of the new facility.

Water for the 40x60-foot pool will have to be plentiful because it requires an initial filling of approximately 100,000 gallons and a daily resupply of 5,000 gallons.

The only other pool similar to the one being installed by the 1/82d was constructed by the 9th Support Bn. three months ago.

(Note the 9th Support Battalion no longer existed after 15FEB69)

PAN-TELL

IT'S HAPPENIN' See Page 3

Volume 2 Number 21

Chu Lai Vietnam
1969

June 2,

POOL MAKES SPLASHING DEBUT

Swimming officially became a part of the 1st Bn., 82d Artillery's recreation activities Sunday when the battalion opened its new pool at Headquarters Battery.

The pool, which has been under construction for more than a month, took on its first swimmers to help inaugurate the battalion's new stand-down program that also went into effect yesterday.

The stand-down plan allows each line battery to send six men at a time to Headquarters for a three-day rest.

The pool, the battalion EM-NCO Club and the recreational facilities of the Americal Division at Chu Lai will be available to the men during their three-day stay.

Plans for a swimming pool were under consideration for more than three months although ground was not broken for the project until April 28.

The 40x60-foot facility will be open daily from 10 a.m. until 10 p.m. provided there is adequate lifeguard protection available.

The pool has a capacity of 100,000 gallons, 5,000 of which are replaced through the filter system every day.

The only other pool of similar construction in the Americal Division area is the **9th Support Bn.**

An item published in the ADVA quarterly "Journal".

Dear editor,

I just received my copy of the revised Americal Division History. I was surprised to read the paragraph in the 23rd Admin" section concerning the establishment of administration support for the Division Headquarters, that Company A, 6th Support Battalion of the 11th Infantry Brigade had been in country supporting Task Force Oregon and was the predecessor of the new 23rd Administration Company, when it was activated on December 8, 1967.

I arrived in Chu Lai with the 198th Infantry Brigade Advance Party on October 9, 1967. I was the brigade AG assigned to Company A, 9th Support Battalion. We soon learned that the Americal Division intended to reassign and merge the admin support units of the three separate brigades (11th , 196th and 198th) to the Division headquarters to form a new administration company in support of the Division headquarters.

The Americal division Information Office Release No. 1-68-89, "1967 Americal Division Progress," contains the following information:

"To provide for the orderly transition of records and personnel, four base elements were organized under a provisional concept, including the 23rd Administration Company, Headquarters and Headquarters and Band Support Command; Headquarters and Headquarters Battery, 23rd Division Artillery; and the 23rd Military Police Company."

The release went on to say that on December 8, the 23rd Administration Company was among the units activated and concurrently inactivated were Company A, 8th Support Battalion (196th Brigade) and Company A, 9th Support Battalion (198th Brigade). Company A, 6th Support Battalion, 11th Infantry Brigade is not mentioned in this release.

The 258th Personnel Services Company (PSC) was deployed to Chu Lai from Fort Hood in June 1967 to provide support to Task Force Oregon. It remained in place to support the Americal Division. Upon the reorganization of the 196th and 198th Brigade personnel merged with those of the 258th PSC. I was assigned as the Chief of a new Personnel Services Division (PSD) and Captain Ned Shivar who was commander of the 258th PSC, became the deputy chief. Upon the merger the PSD had 11 officers and 200 enlisted men.

In a letter dated January 11, 1968 I wrote "We have another Brigade now - the 11th from Hawaii, and their AG section was integrated into the Americal Division headquarters. So now I have 11 officers and 220 men in my PSD, quite a huge operation."

The 23rd Administration Company was formed with the joint assets of the three former separate brigades.

That letter is in my book "We Wrote Letters Then" - letters sent and received from 1967 - 1968. 2015 Lulu Publishing

Bill Walker. Wwalker7395@yahoo.com

A letter published in the ADVA newsletter:

9th Support Battalion

Dear editor,

I was in Vietnam in 1967-68. My first station was Duc Pho. I spent the rest of my tour in Chu Lai. I was with the 9th Support Battalion, 198th Lt. Inf. Bde. I arrived on the USS Gordon in October, 1967. I worked at ration breakdown. Class I supply.

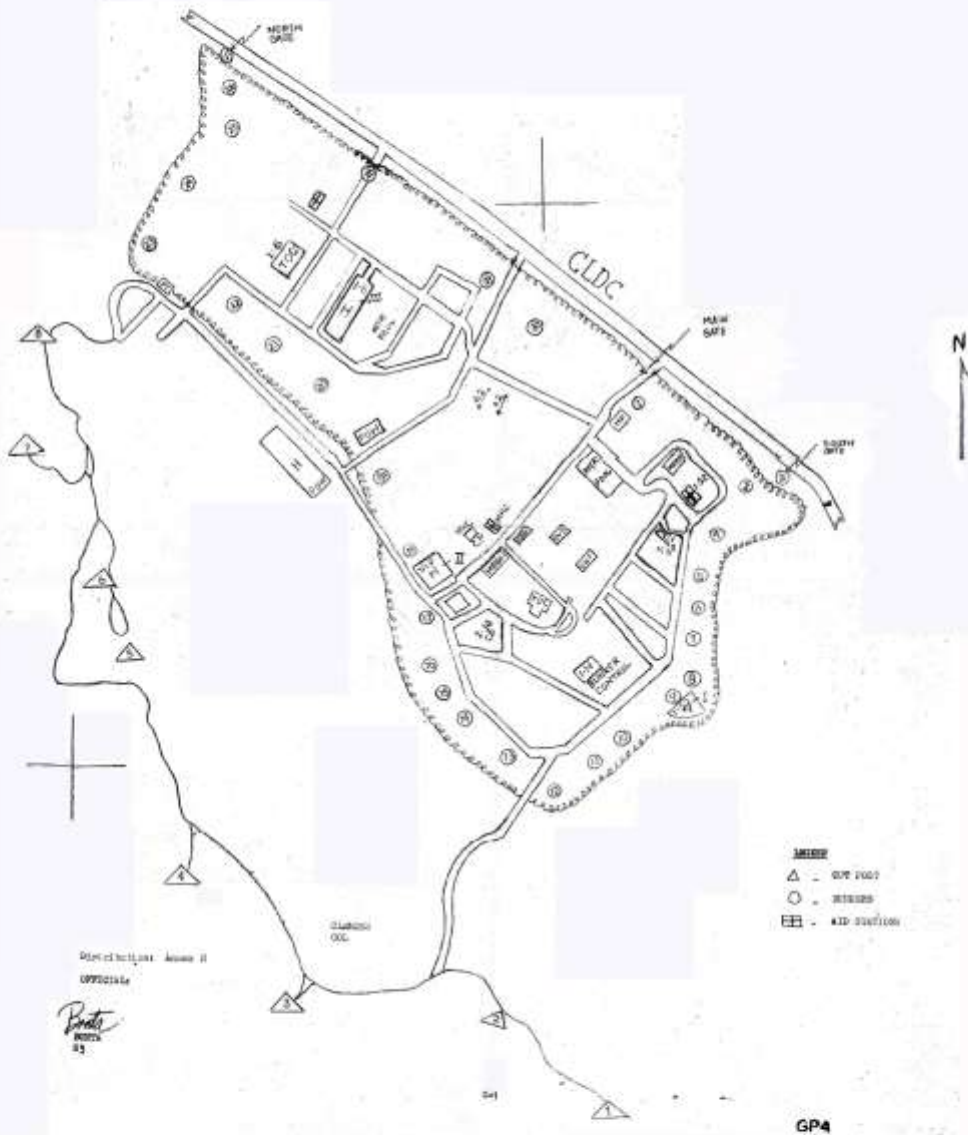
I'm trying to locate some of the guys in my out fit. I drove a deuce and half with Bostonian painted on the front. My friend Johnny Hayes from Florida had Double-Trouble on his truck.

I can be reached at 1-xxx-xxx-xxxx, email at papjohn@worldpath.net. Write to me at

Dennis R. Longo, Sr.; 9th Support Battalion, 198th LIB.

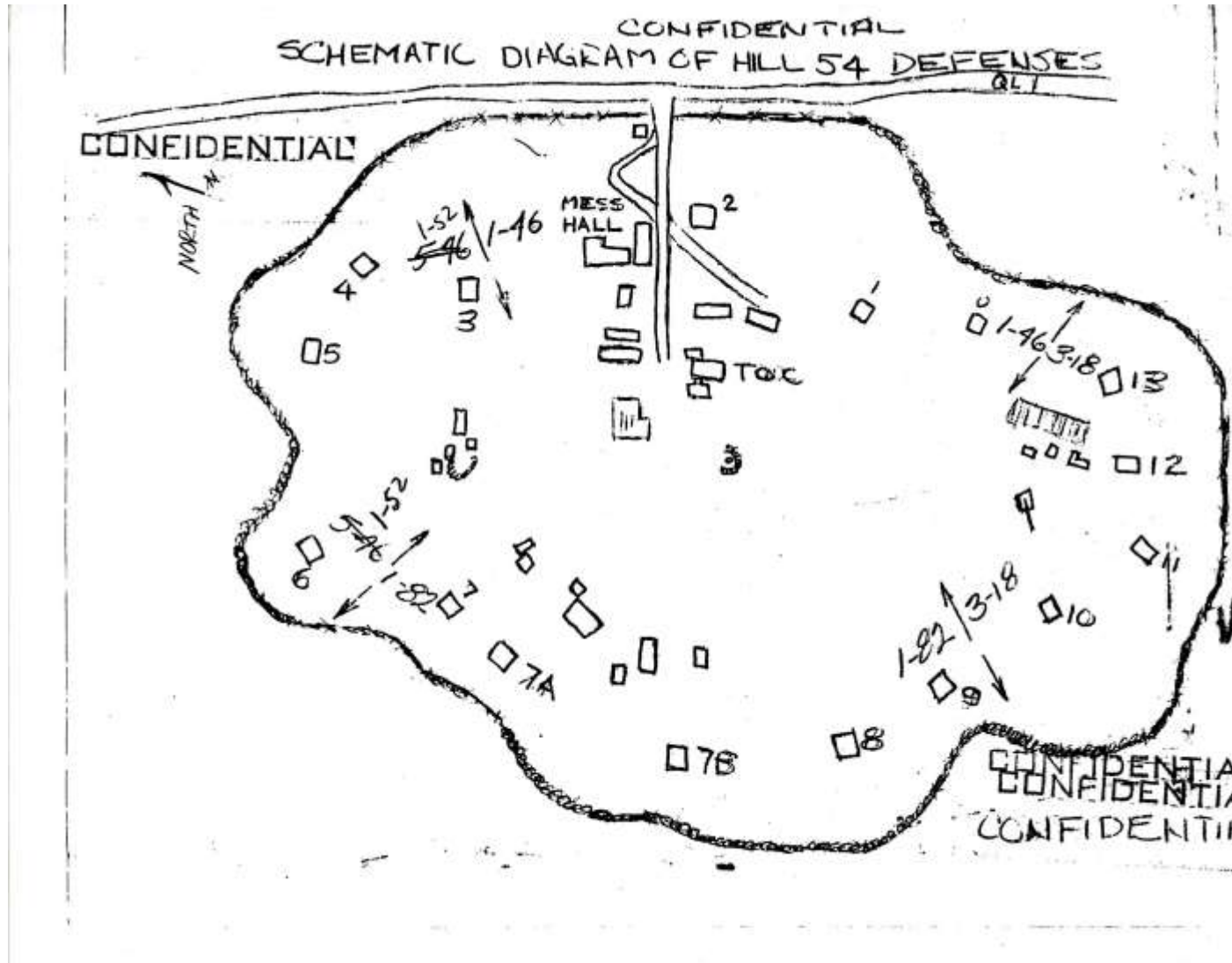
Area 2 (Opposite Area 1) to 198th Infantry Detachment 0202 1-70
(Use before) (1)

OUT 1 OF 30 copies
100% TO 303
IS 303000 (0254001), 400
3019000 JAN 1970 -
SMB



Above bunkerline map of FSB Bayonet, HQ for the 198th LIB.

Above:



Bunker line may of Hill 54, one of the 198th bases north of Chu Lai.

This is a list of the men who died in service with the 9th Support Battalion in Vietnam.

lname	fname	mos	age	incident	casdate	event	cas1	utm	utmvhpa	mar	co
ENGBRETSON	GARY	76S20	20	03/06/1968	06-Mar-68	OH-23G 63-12874 10 KM W-SW OF BINH SON	A1	BS508889	BS512890	S	B CO
FELTZ	KEITH	76A10	20	11/16/1967	16-Nov-67		C3			M	HHD
ROBERTS	JERRY	63C20	21	11/28/1967	11-Dec-67		C2			S	B CO
KOZACH	JOHN	03B20	20	03/06/1968	06-Mar-68	OH-23G 63-12874 10 KM W-SW OF BINH SON	A1	BS508889	BS512890	S	B CO

Comment: All 50 months of the Americal Division S2/S3 reports are available on the AmericalFoundation.ORG website. If one wished to they might be able to search the text on the files that hold reporting prior to February 15, 1969. They might then find information regarding actions of the 9th Support Battalion.

Example: This is the S2/S3 entry describing the Engebretson and Kozak incident from the Americal Division S2/S3 reporting:

20. 0913 Delayed entry, 198th, TOC vicinity BS508889 at 0621H Engr demo team to be sent to the downed aircraft, quite a bit of BT (booby traps) in area. 3 bodies located, possible bodies are BT, bodies were BT 0917H.

32. 1151 198th, 198 TOC vicinity BS508889 at 1100H security for downed aircraft extracted.

One might consider ordering 9th Support Battalion S2/S3 reports from the National Archives in Suitland, MD. In this process you make a request for copies of reports on file. The Archives then provides you with a list of materials that they have located and a price. You then may select the items that you would pay for and order them. It may take 60-90 days or more to obtain the materials. I may consider placing an order for reports for the three dates men died from the unit in order to update the information regarding the location of the incident and etc.

The Coffelt Data Base site can be used to look up details about U.S. veterans who died in service in Vietnam or who became a POW.

The "Faces on the Wall" web-site allows you to look up information about the men who died in service with the 9th Support Battalion. At this site you can read comments made by family and friends as well as view photos of these men.